

## ALD-SH-PT

Plafoniera LED lineare



[V] 220-240 AC	[Hz] 50	$\geq 30000$	[lm] 50000	ellipse $\leq 3x$ Macadam	Ra 80	SMD
DALI		IP 20		[°C] 5÷25		
[mm] 0,5÷2,5		0,5m	CE	EAC	UK CA	



### ALD-SH-NW-MAT-W-PT

	[W]	[mm]	[mm]	TYPE	[°]		[lm]	[mm]
ALD-SH-NW-MAT-W-PT	<b>34189</b>	19	4000	opaco	X85/Y95	bianco	2550	590
ALD-SH-WW-MAT-W-PT	<b>34191</b>	19	3000	opaco	X85/Y95	bianco	2250	590
ALD-SH-NW-MPR-W-PT	<b>34193</b>	19	4000	microprismatico	X75/Y90	bianco	2350	590
ALD-SH-WW-MPR-W-PT	<b>34195</b>	19	3000	microprismatico	X75/Y90	bianco	2050	590
ALD-SH-NW-MAT-B-PT	<b>34201</b>	19	4000	opaco	X85/Y95	bianco	2550	590
ALD-SH-WW-MAT-B-PT	<b>34203</b>	19	3000	opaco	X85/Y95	nero	2250	590
ALD-SH-NW-MPR-B-PT	<b>34205</b>	19	4000	microprismatico	X75/Y90	nero	2350	590
ALD-SH-WW-MPR-B-PT	<b>34207</b>	19	3000	microprismatico	X75/Y90	nero	2050	590
ALD-SH-NW-MAT-S-PT	<b>34213</b>	19	4000	opaco	X85/Y95	argento	2550	590
ALD-SH-WW-MAT-S-PT	<b>34215</b>	19	3000	opaco	X85/Y95	argento	2250	590
ALD-SH-NW-MPR-S-PT	<b>34217</b>	19	4000	microprismatico	X75/Y90	argento	2350	590
ALD-SH-WW-MPR-S-PT	<b>34219</b>	19	3000	microprismatico	X75/Y90	argento	2050	590

- 5 anni di garanzia secondo le condizioni della dichiarazione di garanzia consultabile sul sito Internet
- Materiale del corpo: metallo
- Diffusore: plastica

## ALD-SH-PT

Plafoniera LED lineare



ALD-SH-NW-MAT-W-PT



ALD-SH-WW-MAT-W-PT



ALD-SH-NW-MPR-W-PT



ALD-SH-WW-MPR-W-PT



ALD-SH-NW-MAT-B-PT



ALD-SH-WW-MAT-B-PT



ALD-SH-NW-MPR-B-PT



ALD-SH-WW-MPR-B-PT



ALD-SH-NW-MAT-S-PT



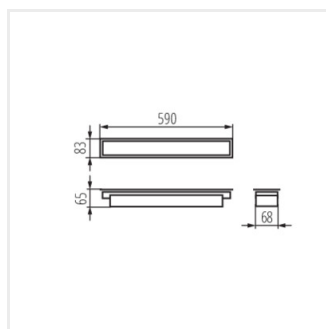
ALD-SH-WW-MAT-S-PT



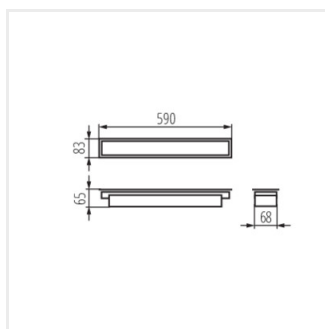
ALD-SH-NW-MPR-S-PT



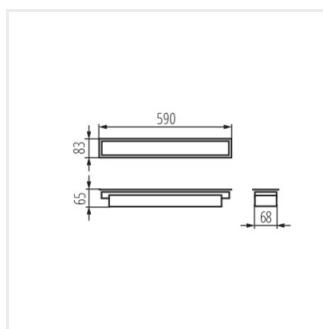
ALD-SH-WW-MPR-S-PT



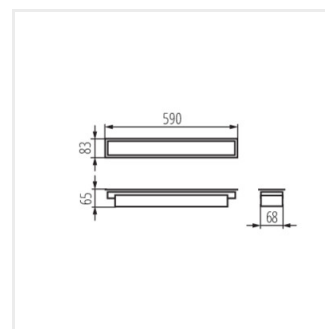
ALD-SH-NW-MAT-W-PT



ALD-SH-WW-MAT-W-PT



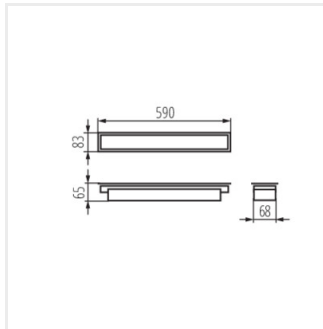
ALD-SH-NW-MPR-W-PT



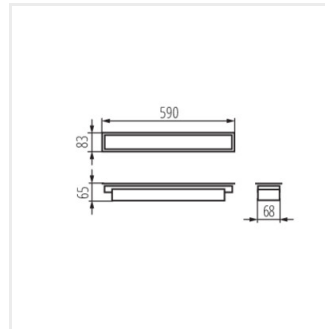
ALD-SH-WW-MPR-W-PT

## ALD-SH-PT

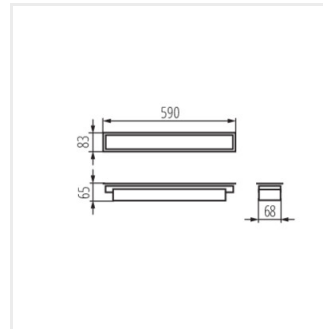
Plafoniera LED lineare



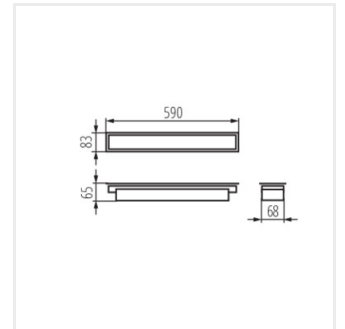
ALD-SH-NW-MAT-B-PT



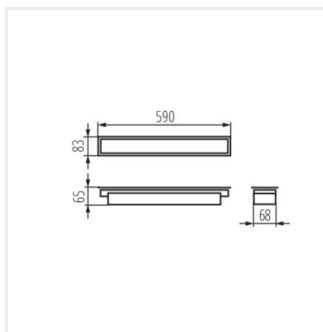
ALD-SH-WW-MAT-B-PT



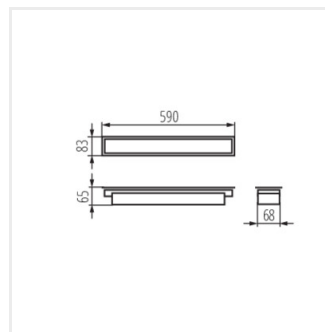
ALD-SH-NW-MPR-B-PT



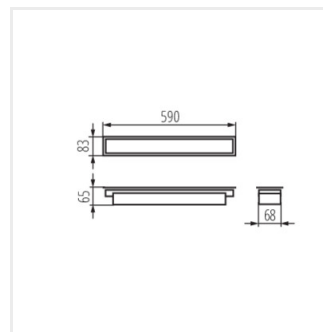
ALD-SH-WW-MPR-B-PT



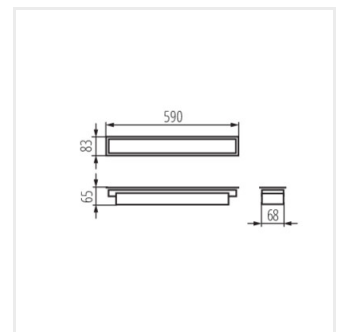
ALD-SH-NW-MAT-S-PT



ALD-SH-WW-MAT-S-PT



ALD-SH-NW-MPR-S-PT



ALD-SH-WW-MPR-S-PT