

## ALD-ML-PT

Plafoniera LED lineare



[V] 220-240 AC	[Hz] 50	≥30000	[h] 50000	ellipse ≤3x Macadam	Ra 80	SMD
DALI		IP 20		[°C] 5÷25		
[mm] 0,5÷2,5		0,5m	CE	EAC	UK CA	



### ALD-ML-NW-MAT-W-PT

	[W]	Tc [K]	TYPE	[°]		[lm]	[mm]	
ALD-ML-NW-MAT-W-PT	<b>34260</b>	25	4000	opaco	X85/Y95	bianco	3250	1150
ALD-ML-WW-MAT-W-PT	<b>34262</b>	25	3000	opaco	X85/Y95	bianco	2980	1150
ALD-ML-NW-MPR-W-PT	<b>34264</b>	25	4000	microprismatico	X75/Y90	bianco	3000	1150
ALD-ML-WW-MPR-W-PT	<b>34266</b>	25	3000	microprismatico	X75/Y90	bianco	2750	1150
ALD-ML-NW-MAT-B-PT	<b>34272</b>	25	4000	opaco	X85/Y95	nero	3250	1150
ALD-ML-WW-MAT-B-PT	<b>34274</b>	25	3000	opaco	X85/Y95	nero	2980	1150
ALD-ML-NW-MPR-B-PT	<b>34276</b>	25	4000	microprismatico	X75/Y90	nero	3000	1150
ALD-ML-WW-MPR-B-PT	<b>34278</b>	25	3000	microprismatico	X75/Y90	nero	2750	1150
ALD-ML-NW-MAT-S-PT	<b>34284</b>	25	4000	opaco	X85/Y95	argento	3250	1150
ALD-ML-WW-MAT-S-PT	<b>34286</b>	25	3000	opaco	X85/Y95	argento	2980	1150
ALD-ML-NW-MPR-S-PT	<b>34288</b>	25	4000	microprismatico	X75/Y90	argento	3000	1150
ALD-ML-WW-MPR-S-PT	<b>34290</b>	25	3000	microprismatico	X75/Y90	argento	2750	1150

- 5 anni di garanzia secondo le condizioni della dichiarazione di garanzia consultabile sul sito Internet
- Materiale del corpo: metallo
- Diffusore: plastica

## ALD-ML-PT

Plafoniera LED lineare



ALD-ML-NW-MAT-W-PT



ALD-ML-WW-MAT-W-PT



ALD-ML-NW-MPR-W-PT



ALD-ML-WW-MPR-W-PT



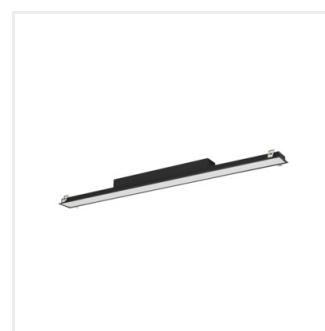
ALD-ML-NW-MAT-B-PT



ALD-ML-WW-MAT-B-PT



ALD-ML-NW-MPR-B-PT



ALD-ML-WW-MPR-B-PT



ALD-ML-NW-MAT-S-PT



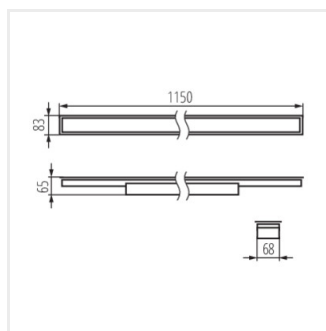
ALD-ML-WW-MAT-S-PT



ALD-ML-NW-MPR-S-PT



ALD-ML-WW-MPR-S-PT



ALD\_ML