

## ALD-MM-PT

Plafoniera LED lineare



[V] 220-240 AC	[Hz] 50	≥30000	[h] 50000	ellipse ≤3x Macadam	Ra 80	SMD
DALI		IP 20		[°C] 5÷25		
[mm²] 0,5÷2,5		0,5m	CE	EAC	UK CA	



### ALD-MM-NW-MAT-W-PT

	[W]	Tc [K]	TYPE	[°]		[lm]	[mm]	
ALD-MM-NW-MAT-W-PT	<b>34314</b>	29	4000	opaco	X85/Y95	bianco	3900	1150
ALD-MM-WW-MAT-W-PT	<b>34315</b>	29	3000	opaco	X85/Y95	bianco	3450	1150
ALD-MM-NW-MPR-W-PT	<b>34316</b>	29	4000	microprismatico	X75/Y90	bianco	3600	1150
ALD-MM-WW-MPR-W-PT	<b>34317</b>	29	3000	microprismatico	X75/Y90	bianco	3170	1150
ALD-MM-NW-MAT-B-PT	<b>34320</b>	29	4000	opaco	X85/Y95	nero	3900	1150
ALD-MM-WW-MAT-B-PT	<b>34321</b>	29	3000	opaco	X85/Y95	nero	3450	1150
ALD-MM-NW-MPR-B-PT	<b>34322</b>	29	4000	microprismatico	X75/Y90	nero	3600	1150
ALD-MM-WW-MPR-B-PT	<b>34323</b>	29	3000	microprismatico	X75/Y90	nero	3170	1150
ALD-MM-NW-MAT-S-PT	<b>34326</b>	29	4000	opaco	X85/Y95	argento	3900	1150
ALD-MM-WW-MAT-S-PT	<b>34327</b>	29	3000	opaco	X85/Y95	argento	3450	1150
ALD-MM-NW-MPR-S-PT	<b>34328</b>	29	4000	microprismatico	X75/Y90	argento	3600	1150
ALD-MM-WW-MPR-S-PT	<b>34329</b>	29	3000	microprismatico	X75/Y90	argento	3170	1150

- 5 anni di garanzia secondo le condizioni della dichiarazione di garanzia consultabile sul sito Internet
- Materiale del corpo: metallo
- Diffusore: plastica

## ALD-MM-PT

Plafoniera LED lineare



ALD-MM-NW-MAT-W-PT



ALD-MM-WW-MAT-W-PT



ALD-MM-NW-MPR-W-PT



ALD-MM-WW-MPR-W-PT



ALD-MM-NW-MAT-B-PT



ALD-MM-WW-MAT-B-PT



ALD-MM-NW-MPR-B-PT



ALD-MM-WW-MPR-B-PT



ALD-MM-NW-MAT-S-PT



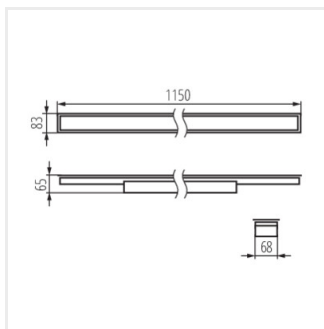
ALD-MM-WW-MAT-S-PT



ALD-MM-NW-MPR-S-PT



ALD-MM-WW-MPR-S-PT



ALD-MM