

## ALD-LH-PT

Plafoniera LED lineare



[V] 220-240 AC	[Hz] 50	≥30000	[lm] 50000	ellipse ≤3x Macadam	Ra 80	SMD
DALI		IP 20		[°C] 5÷25		
[mm²] 0,5÷2,5		0,5m	CE	EAC	UK CA	



### ALD-LH-NW-MAT-W-PT



	[W]	Tc [K]	TYPE	[°]	[lm]	[mm]
ALD-LH-NW-MAT-W-PT	<b>34369</b>	52	4000	opaco	X85/Y95	bianco 6300 1710
ALD-LH-WW-MAT-W-PT	<b>34371</b>	52	3000	opaco	X85/Y95	bianco 5600 1710
ALD-LH-NW-MPR-W-PT	<b>34373</b>	52	4000	microprismatico	X75/Y90	bianco 5800 1710
ALD-LH-WW-MPR-W-PT	<b>34375</b>	52	3000	microprismatico	X75/Y90	bianco 5150 1710
ALD-LH-NW-MAT-B-PT	<b>34381</b>	52	4000	opaco	X85/Y95	nero 6300 1710
ALD-LH-WW-MAT-B-PT	<b>34383</b>	52	3000	opaco	X85/Y95	nero 5600 1710
ALD-LH-NW-MPR-B-PT	<b>34385</b>	52	4000	microprismatico	X75/Y90	nero 5800 1710
ALD-LH-WW-MPR-B-PT	<b>34387</b>	52	3000	microprismatico	X75/Y90	nero 5150 1710
ALD-LH-NW-MAT-S-PT	<b>34393</b>	52	4000	opaco	X85/Y95	argento 6300 1710
ALD-LH-WW-MAT-S-PT	<b>34395</b>	52	3000	opaco	X85/Y95	argento 5600 1710
ALD-LH-NW-MPR-S-PT	<b>34397</b>	52	4000	microprismatico	X75/Y90	argento 5800 1710
ALD-LH-WW-MPR-S-PT	<b>34399</b>	52	3000	microprismatico	X75/Y90	argento 5150 1710

- 5 anni di garanzia secondo le condizioni della dichiarazione di garanzia consultabile sul sito Internet
- Materiale del corpo: metallo
- Diffusore: plastica

## ALD-LH-PT

Plafoniera LED lineare



ALD-LH-NW-MAT-W-PT



ALD-LH-WW-MAT-W-PT



ALD-LH-NW-MPR-W-PT



ALD-LH-WW-MPR-W-PT



ALD-LH-NW-MAT-B-PT



ALD-LH-WW-MAT-B-PT



ALD-LH-NW-MPR-B-PT



ALD-LH-WW-MPR-B-PT



ALD-LH-NW-MAT-S-PT



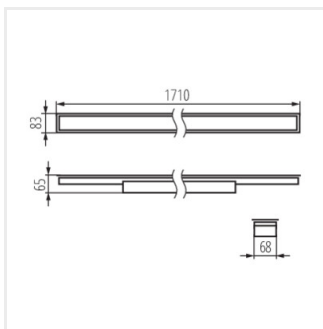
ALD-LH-WW-MAT-S-PT



ALD-LH-NW-MPR-S-PT



ALD-LH-WW-MPR-S-PT



ALD-LH