

## ALD-LL-PT

Plafoniera LED lineare



[V] 220-240 AC	[Hz] 50	≥30000	[h] 50000	ellipse ≤3x Macadam	Ra 80	SMD
DALI		IP 20		[°C] 5÷25		
[mm²] 0,5÷2,5		0,5m	CE	EAC	UK CA	



### ALD-LL-NW-MAT-W-PT

	[W]	Tc [K]	TYPE	[°]			[mm]	
ALD-LL-NW-MAT-W-PT	<b>34368</b>	33	4000	opaco	X85/Y95	bianco	4550	1710
ALD-LL-WW-MAT-W-PT	<b>34370</b>	33	3000	opaco	X85/Y95	bianco	4100	1710
ALD-LL-NW-MPR-W-PT	<b>34372</b>	33	4000	microprismatico	X75/Y90	bianco	4150	1710
ALD-LL-WW-MPR-W-PT	<b>34374</b>	33	3000	microprismatico	X75/Y90	bianco	3750	1710
ALD-LL-NW-MAT-B-PT	<b>34380</b>	33	4000	opaco	X85/Y95	nero	4550	1710
ALD-LL-WW-MAT-B-PT	<b>34382</b>	33	3000	opaco	X85/Y95	nero	4100	1710
ALD-LL-NW-MPR-B-PT	<b>34384</b>	33	4000	microprismatico	X75/Y90	nero	4150	1710
ALD-LL-WW-MPR-B-PT	<b>34386</b>	33	3000	microprismatico	X75/Y90	nero	3750	1710
ALD-LL-NW-MAT-S-PT	<b>34392</b>	33	4000	opaco	X85/Y95	argento	4550	1710
ALD-LL-WW-MAT-S-PT	<b>34394</b>	33	3000	opaco	X85/Y95	argento	4100	1710
ALD-LL-NW-MPR-S-PT	<b>34396</b>	33	4000	microprismatico	X75/Y90	argento	4150	1710
ALD-LL-WW-MPR-S-PT	<b>34398</b>	33	3000	microprismatico	X75/Y90	argento	3750	1710

- 5 anni di garanzia secondo le condizioni della dichiarazione di garanzia consultabile sul sito Internet
- Materiale del corpo: metallo
- Diffusore: plastica

## ALD-LL-PT

Plafoniera LED lineare



ALD-LL-NW-MAT-W-PT



ALD-LL-WW-MAT-W-PT



ALD-LL-NW-MPR-W-PT



ALD-LL-WW-MPR-W-PT



ALD-LL-NW-MAT-B-PT



ALD-LL-WW-MAT-B-PT



ALD-LL-NW-MPR-B-PT



ALD-LL-WW-MPR-B-PT



ALD-LL-NW-MAT-S-PT



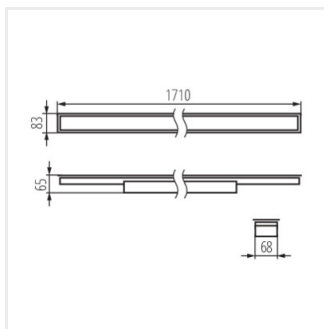
ALD-LL-WW-MAT-S-PT



ALD-LL-NW-MPR-S-PT



ALD-LL-WW-MPR-S-PT



ALD-LL