

- 5 anni di garanzia secondo le condizioni della dichiarazione di garanzia consultabile sul sito Internet



[V] 220-240 AC	[Hz] 50	 ≥30000	 50000	 ellipso ≤3x MacAdam	 Ra 80	 SMD
		IP 20		 T _c 5÷25		
 1,5÷2,5	 0,5m	CE	EAC	UK CA		



OS-H5D-NW-RST-B-PI



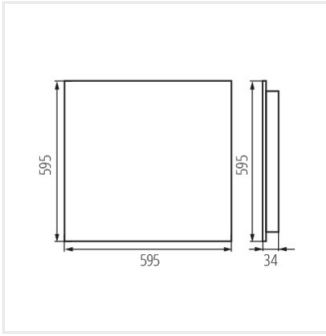
OS-H5D-NW-RST-B-P1	35968	49	5600	4000	raster	50	nero
OS-H5D-NW-RST-W-P1	35840	49	6300	4000	raster	50	bianco
OS-H5D-WN-RST-B-P1	36144	49	5600	3500	raster	50	nero
OS-H5D-WN-RST-W-P1	36080	49	6300	3500	raster	50	bianco
OS-H5D-WW-RST-B-P1	35952	49	5600	3000	raster	50	nero
OS-H5D-WW-RST-W-P1	35824	49	6300	3000	raster	50	bianco
OS-H8D-NW-RST-B-P1	36000	49	5600	4000	raster	80	nero
OS-H8D-NW-RST-W-P1	35872	49	6300	4000	raster	80	bianco
OS-H8D-WN-RST-B-P1	36160	49	5600	3500	raster	80	nero
OS-H8D-WN-RST-W-P1	36096	49	6300	3500	raster	80	bianco
OS-H8D-WW-RST-B-P1	35984	49	5600	3000	raster	80	nero
OS-H8D-WW-RST-W-P1	35856	49	6300	3000	raster	80	bianco
OS-L5D-NW-RST-B-P1	35960	31	3800	4000	raster	50	nero
OS-L5D-NW-RST-W-P1	35832	31	4300	4000	raster	50	bianco
OS-L5D-WN-RST-B-P1	36136	31	3800	3500	raster	50	nero
OS-L5D-WN-RST-W-P1	36072	31	4300	3500	raster	50	bianco
OS-L5D-WW-RST-B-P1	35944	31	3800	3000	raster	50	nero
OS-L5D-WW-RST-W-P1	35816	31	4300	3000	raster	50	bianco
OS-L8D-NW-RST-B-P1	35992	31	3800	4000	raster	80	nero
OS-L8D-NW-RST-W-P1	35864	31	4300	4000	raster	80	bianco
OS-L8D-WN-RST-B-P1	36152	31	3800	3500	raster	80	nero
OS-L8D-WN-RST-W-P1	36088	31	4300	3500	raster	80	bianco
OS-L8D-WW-RST-B-P1	35976	31	3800	3000	raster	80	nero
OS-L8D-WW-RST-W-P1	35848	31	4300	3000	raster	80	bianco
OS-M5D-NW-RST-B-P1	35964	39	4800	4000	raster	50	nero
OS-M5D-NW-RST-W-P1	35836	39	5400	4000	raster	50	bianco
OS-M5D-WN-RST-B-P1	36140	39	4800	3500	raster	50	nero
OS-M5D-WN-RST-W-P1	36076	39	5400	3500	raster	50	bianco
OS-M5D-WW-RST-B-P1	35948	39	4800	3000	raster	50	nero
OS-M5D-WW-RST-W-P1	35820	39	5400	3000	raster	50	bianco
OS-M8D-NW-RST-B-P1	35996	39	4800	4000	raster	80	nero
OS-M8D-NW-RST-W-P1	35868	39	5400	4000	raster	80	bianco
OS-M8D-WN-RST-B-P1	36156	39	4800	3500	raster	80	nero
OS-M8D-WN-RST-W-P1	36092	39	5400	3500	raster	80	bianco
OS-M8D-WW-RST-B-P1	35980	39	4800	3000	raster	80	nero
OS-M8D-WW-RST-W-P1	35852	39	5400	3000	raster	80	bianco
OS-S5D-NW-RST-B-P1	35956	22	2800	4000	raster	50	nero
OS-S5D-NW-RST-W-P1	35828	22	3200	4000	raster	50	bianco
OS-S5D-WN-RST-B-P1	36132	22	2800	3500	raster	50	nero
OS-S5D-WN-RST-W-P1	36068	22	3200	3500	raster	50	bianco
OS-S5D-WW-RST-B-P1	35940	22	2800	3000	raster	50	nero
OS-S5D-WW-RST-W-P1	35812	22	3200	3000	raster	50	bianco
OS-S8D-NW-RST-B-P1	35988	22	2800	4000	raster	80	nero
OS-S8D-NW-RST-W-P1	35860	22	3200	4000	raster	80	bianco
OS-S8D-WN-RST-B-P1	36148	22	2800	3500	raster	80	nero
OS-S8D-WN-RST-W-P1	36084	22	3200	3500	raster	80	bianco
OS-S8D-WW-RST-B-P1	35972	22	2800	3000	raster	80	nero
OS-S8D-WW-RST-W-P1	35844	22	3200	3000	raster	80	bianco



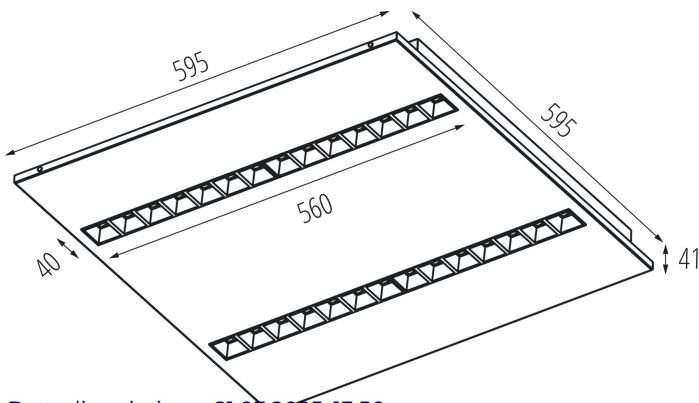
OS RST B P1



OS RST W P1



OS RST P1



Data di emissione: 21.03.2025, 13:50

Ci riserviamo la possibilità di introdurre delle modifiche tecniche. I dati contenuti in questo materiale non sono legalmente vincolanti.

Fotometria: risultati conseguiti durante l'esame di una singola unità del prodotto.

Kanlux S.A. ul. Objazdowa 1-3, 41-922 Radzionków, Poland kanlux@kanlux.com