

- 5 anni di garanzia secondo le condizioni della dichiarazione di garanzia consultabile sul sito Internet



 [V] 220-240 AC	 [Hz] 50	 ≥ 30000	 [h] 50000	 ellipse $\leq 3\text{Machdam}$	 Ra 80	 SMD
		IP 20		 [°C] 5÷25		
 [mm²] 1,5÷2,5	 0,5m	CE	EAC	UK CA		



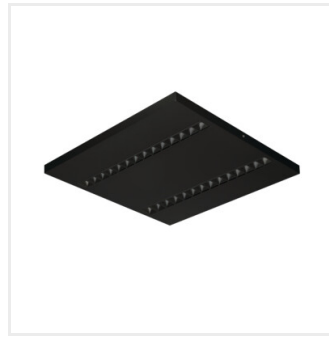
OS RST W NI



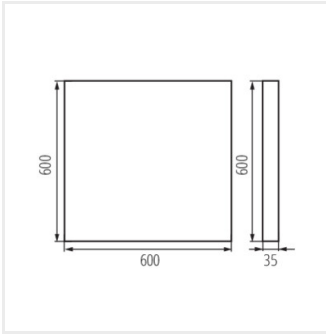
OS-S5D-WW-RST-W-N1	35810	22	3200	3000	raster	50	bianco
OS-L5D-WW-RST-W-N1	35814	31	4300	3000	raster	50	bianco
OS-M5D-WW-RST-W-N1	35818	39	5400	3000	raster	50	bianco
OS-H5D-WW-RST-W-N1	35822	49	6300	3000	raster	50	bianco
OS-S5D-NW-RST-W-N1	35826	22	3200	4000	raster	50	bianco
OS-L5D-NW-RST-W-N1	35830	31	4300	4000	raster	50	bianco
OS-M5D-NW-RST-W-N1	35834	39	5400	4000	raster	50	bianco
OS-H5D-NW-RST-W-N1	35838	49	6300	4000	raster	50	bianco
OS-S8D-WW-RST-W-N1	35842	22	3200	3000	raster	80	bianco
OS-L8D-WW-RST-W-N1	35846	31	4300	3000	raster	80	bianco
OS-M8D-WW-RST-W-N1	35850	39	5400	3000	raster	80	bianco
OS-H8D-WW-RST-W-N1	35854	49	6300	3000	raster	80	bianco
OS-S8D-NW-RST-W-N1	35858	22	3200	4000	raster	80	bianco
OS-L8D-NW-RST-W-N1	35862	31	4300	4000	raster	80	bianco
OS-M8D-NW-RST-W-N1	35866	39	5400	4000	raster	80	bianco
OS-H8D-NW-RST-W-N1	35870	49	6300	4000	raster	80	bianco
OS-S5D-WW-RST-B-N1	35938	22	2800	3000	raster	50	nero
OS-L5D-WW-RST-B-N1	35942	31	3800	3000	raster	50	nero
OS-M5D-WW-RST-B-N1	35946	39	4800	3000	raster	50	nero
OS-H5D-WW-RST-B-N1	35950	49	5600	3000	raster	50	nero
OS-S5D-NW-RST-B-N1	35954	22	2800	4000	raster	50	nero
OS-L5D-NW-RST-B-N1	35958	31	3800	4000	raster	50	nero
OS-M5D-NW-RST-B-N1	35962	39	4800	4000	raster	50	nero
OS-H5D-NW-RST-B-N1	35966	49	5600	4000	raster	50	nero
OS-S8D-WW-RST-B-N1	35970	22	2800	3000	raster	80	nero
OS-L8D-WW-RST-B-N1	35974	31	3800	3000	raster	80	nero
OS-M8D-WW-RST-B-N1	35978	39	4800	3000	raster	80	nero
OS-H8D-WW-RST-B-N1	35982	49	5600	3000	raster	80	nero
OS-S8D-NW-RST-B-N1	35986	22	2800	4000	raster	80	nero
OS-L8D-NW-RST-B-N1	35990	31	3800	4000	raster	80	nero
OS-M8D-NW-RST-B-N1	35994	39	4800	4000	raster	80	nero
OS-H8D-NW-RST-B-N1	35998	49	5600	4000	raster	80	nero
OS-S5D-WN-RST-W-N1	36066	22	3200	3500	raster	50	bianco
OS-L5D-WN-RST-W-N1	36070	31	4300	3500	raster	50	bianco
OS-M5D-WN-RST-W-N1	36074	39	5400	3500	raster	50	bianco
OS-H5D-WN-RST-W-N1	36078	49	6300	3500	raster	50	bianco
OS-S8D-WN-RST-W-N1	36082	22	3200	3500	raster	80	bianco
OS-L8D-WN-RST-W-N1	36086	31	4300	3500	raster	80	bianco
OS-M8D-WN-RST-W-N1	36090	39	5400	3500	raster	80	bianco
OS-H8D-WN-RST-W-N1	36094	49	6300	3500	raster	80	bianco
OS-S5D-WN-RST-B-N1	36130	22	2800	3500	raster	50	nero
OS-L5D-WN-RST-B-N1	36134	31	3800	3500	raster	50	nero
OS-M5D-WN-RST-B-N1	36138	39	4800	3500	raster	50	nero
OS-H5D-WN-RST-B-N1	36142	49	5600	3500	raster	50	nero
OS-S8D-WN-RST-B-N1	36146	22	2800	3500	raster	80	nero
OS-L8D-WN-RST-B-N1	36150	31	3800	3500	raster	80	nero
OS-M8D-WN-RST-B-N1	36154	39	4800	3500	raster	80	nero
OS-H8D-WN-RST-B-N1	36158	49	5600	3500	raster	80	nero



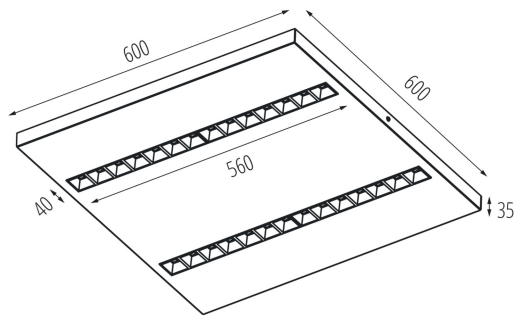
OS RST W N1



OS RST B N1



OS RST N1



Data di emissione: 21.03.2025, 13:45

Ci riserviamo la possibilità di introdurre delle modifiche tecniche. I dati contenuti in questo materiale non sono legalmente vincolanti.

Fotometria: risultati conseguiti durante l'esame di una singola unità del prodotto.

Kanlux S.A. ul. Objazdowa 1-3, 41-922 Radzionków, Poland kanlux@kanlux.com

