

- 5 anni di garanzia secondo le condizioni della dichiarazione di garanzia consultabile sul sito Internet



[V] 220-240 AC	[Hz] 50	 ≥30000	 50000	 ellipso ≤3x MacAdam	 Ra 80	 SMD
		IP 20		 T _{cj} 5÷25		
 1,5÷2,5	 0,5m	CE	EAC	UK CA		



OS-H5D-NW-RST-B-N3



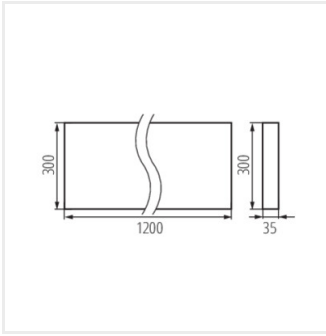
OS-H5D-NW-RST-B-N3	35967	49	5600	4000	raster	50	nero
OS-H5D-NW-RST-W-N3	35839	49	6300	4000	raster	50	bianco
OS-H5D-WN-RST-B-N3	36143	49	5600	3500	raster	50	nero
OS-H5D-WN-RST-W-N3	36079	49	6300	3500	raster	50	bianco
OS-H5D-WW-RST-B-N3	35951	49	5600	3000	raster	50	nero
OS-H5D-WW-RST-W-N3	35823	49	6300	3000	raster	50	bianco
OS-H8D-NW-RST-B-N3	35999	49	5600	4000	raster	80	nero
OS-H8D-NW-RST-W-N3	35871	49	6300	4000	raster	80	bianco
OS-H8D-WN-RST-B-N3	36159	49	5600	3500	raster	80	nero
OS-H8D-WN-RST-W-N3	36095	49	6300	3500	raster	80	bianco
OS-H8D-WW-RST-B-N3	35983	49	5600	3000	raster	80	nero
OS-H8D-WW-RST-W-N3	35855	49	6300	3000	raster	80	bianco
OS-L5D-NW-RST-B-N3	35959	31	3800	4000	raster	50	nero
OS-L5D-NW-RST-W-N3	35831	31	4300	4000	raster	50	bianco
OS-L5D-WN-RST-B-N3	36135	31	3800	3500	raster	50	nero
OS-L5D-WN-RST-W-N3	36071	31	4300	3500	raster	50	bianco
OS-L5D-WW-RST-B-N3	35943	31	3800	3000	raster	50	nero
OS-L5D-WW-RST-W-N3	35815	31	4300	3000	raster	50	bianco
OS-L8D-NW-RST-B-N3	35991	31	3800	4000	raster	80	nero
OS-L8D-NW-RST-W-N3	35863	31	4300	4000	raster	80	bianco
OS-L8D-WN-RST-B-N3	36151	31	3800	3500	raster	80	nero
OS-L8D-WN-RST-W-N3	36087	31	4300	3500	raster	80	bianco
OS-L8D-WW-RST-B-N3	35975	31	3800	3000	raster	80	nero
OS-L8D-WW-RST-W-N3	35847	31	4300	3000	raster	80	bianco
OS-M5D-NW-RST-B-N3	35963	39	4800	4000	raster	50	nero
OS-M5D-NW-RST-W-N3	35835	39	5400	4000	raster	50	bianco
OS-M5D-WN-RST-B-N3	36139	39	4800	3500	raster	50	nero
OS-M5D-WN-RST-W-N3	36075	39	5400	3500	raster	50	bianco
OS-M5D-WW-RST-B-N3	35947	39	4800	3000	raster	50	nero
OS-M5D-WW-RST-W-N3	35819	39	5400	3000	raster	50	bianco
OS-M8D-NW-RST-B-N3	35995	39	4800	4000	raster	80	nero
OS-M8D-NW-RST-W-N3	35867	39	5400	4000	raster	80	bianco
OS-M8D-WN-RST-B-N3	36155	39	4800	3500	raster	80	nero
OS-M8D-WN-RST-W-N3	36091	39	5400	3500	raster	80	bianco
OS-M8D-WW-RST-B-N3	35979	39	4800	3000	raster	80	nero
OS-M8D-WW-RST-W-N3	35851	39	5400	3000	raster	80	bianco
OS-S5D-NW-RST-B-N3	35955	22	2800	4000	raster	50	nero
OS-S5D-NW-RST-W-N3	35827	22	3200	4000	raster	50	bianco
OS-S5D-WN-RST-B-N3	36131	22	2800	3500	raster	50	nero
OS-S5D-WN-RST-W-N3	36067	22	3200	3500	raster	50	bianco
OS-S5D-WW-RST-B-N3	35939	22	2800	3000	raster	50	nero
OS-S5D-WW-RST-W-N3	35811	22	3200	3000	raster	50	bianco
OS-S8D-NW-RST-B-N3	35987	22	2800	4000	raster	80	nero
OS-S8D-NW-RST-W-N3	35859	22	3200	4000	raster	80	bianco
OS-S8D-WN-RST-B-N3	36147	22	2800	3500	raster	80	nero
OS-S8D-WN-RST-W-N3	36083	22	3200	3500	raster	80	bianco
OS-S8D-WW-RST-B-N3	35971	22	2800	3000	raster	80	nero
OS-S8D-WW-RST-W-N3	35843	22	3200	3000	raster	80	bianco



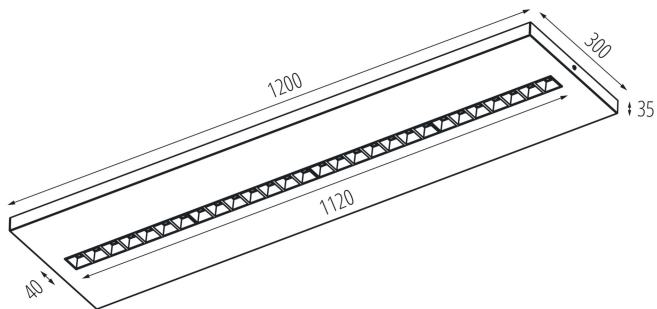
OS RST B N3



OS RST W N3



OS RST N3



Data di emissione: 21.03.2025, 13:50

Ci riserviamo la possibilità di introdurre delle modifiche tecniche. I dati contenuti in questo materiale non sono legalmente vincolanti.

Fotometria: risultati conseguiti durante l'esame di una singola unità del prodotto.

Kanlux S.A. ul. Objazdowa 1-3, 41-922 Radzionków, Poland kanlux@kanlux.com

