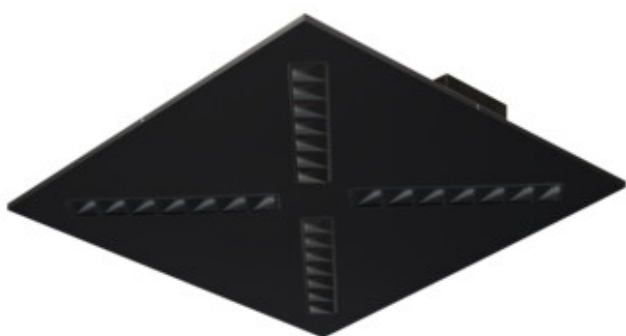


## OFIS S

Oprawa LED podtynkowa



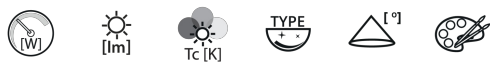
 220-240 AC	 50	 ≥30000	 50000	 ellipse ≤3x MacAdam	 Ra 80	
		 IP 20		 5÷25		
 1,5÷2,5	 0,5m					



OS-H8D-NW-RX-B-P1

## OFIS S

### Oprawa LED podtynkowa



OS-H8D-NW-RX-B-P1	<b>37203</b>	47	5600	4000	raster	80	nero
OS-H8D-NW-RX-W-P1	<b>37191</b>	47	6250	4000	raster	80	bianco
OS-H8D-WN-RX-B-P1	<b>37199</b>	47	5450	3500	raster	80	nero
OS-H8D-WN-RX-W-P1	<b>37187</b>	47	6100	3500	raster	80	bianco
OS-H8D-WW-RX-B-P1	<b>37195</b>	47	5300	3000	raster	80	nero
OS-H8D-WW-RX-W-P1	<b>37183</b>	47	5950	3000	raster	80	bianco
OS-L8D-NW-RX-B-P1	<b>37201</b>	31	3900	4000	raster	80	nero
OS-L8D-NW-RX-W-P1	<b>37189</b>	31	4400	4000	raster	80	bianco
OS-L8D-WN-RX-B-P1	<b>37197</b>	31	3850	3500	raster	80	nero
OS-L8D-WN-RX-W-P1	<b>37185</b>	31	4300	3500	raster	80	bianco
OS-L8D-WW-RX-B-P1	<b>37193</b>	31	3750	3000	raster	80	nero
OS-L8D-WW-RX-W-P1	<b>37181</b>	31	4200	3000	raster	80	bianco
OS-M8D-NW-RX-B-P1	<b>37202</b>	40	4900	4000	raster	80	nero
OS-M8D-NW-RX-W-P1	<b>37190</b>	40	5500	4000	raster	80	bianco
OS-M8D-WN-RX-B-P1	<b>37198</b>	40	4800	3500	raster	80	nero
OS-M8D-WN-RX-W-P1	<b>37186</b>	40	5400	3500	raster	80	bianco
OS-M8D-WW-RX-B-P1	<b>37194</b>	40	4650	3000	raster	80	nero
OS-M8D-WW-RX-W-P1	<b>37182</b>	40	5250	3000	raster	80	bianco
OS-S8D-NW-RX-B-P1	<b>37200</b>	22	2850	4000	raster	80	nero
OS-S8D-NW-RX-W-P1	<b>37188</b>	22	3250	4000	raster	80	bianco
OS-S8D-WN-RX-B-P1	<b>37196</b>	22	2800	3500	raster	80	nero
OS-S8D-WN-RX-W-P1	<b>37184</b>	22	3150	3500	raster	80	bianco
OS-S8D-WW-RX-B-P1	<b>37192</b>	22	2750	3000	raster	80	nero
OS-S8D-WW-RX-W-P1	<b>37180</b>	22	3050	3000	raster	80	bianco

- Materiale del corpo: metallo
- Diffusore: plastica



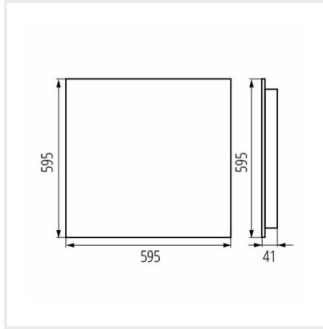
OS RX B P1



OS RX W P1

## OFIS S

Oprawa LED podtynkowa



OS RX P1

