

XLED W

Lampadina led



 220-240 AC	 50	 FILAMENT	 360° Φ _{use}	 ellipse ≤ 6x MacAdam	 Ra 80	 ≥20000
 15000						



XLED W A60 8,5W-WW



	P_{ON} [W]	[W]	[lm] Φ _{use}	T _c [K]	[°]			
XLED W A60 8,5W-WW	37380	8,5	75	1055	2700	320	E27	E
XLED W ST64 7W-WW	37381	7	60	806	2700	320	E27	E
XLED W C35E14 4,5W-WW	37382	4,5	40	470	2700	320	E14	F
XLED W G45E14 4,5W-WW	37383	4,5	40	470	2700	320	E14	F

- Diffusore: vetro

XLED W

Lampadina led



XLED W A60 8,5W-WW



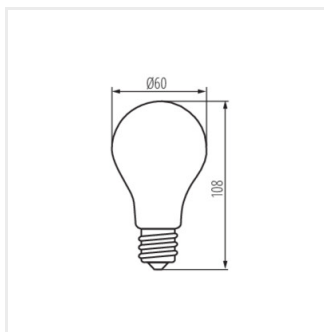
XLED W ST64 7W-WW



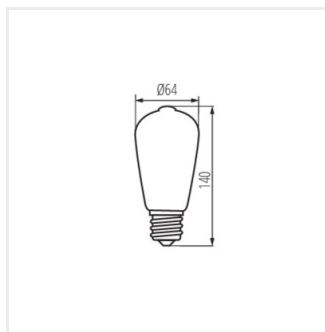
XLED W C35E14 4,5W-WW



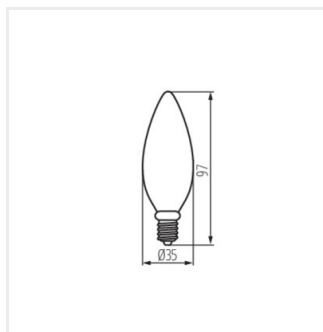
XLED W G45E14 4,5W-WW



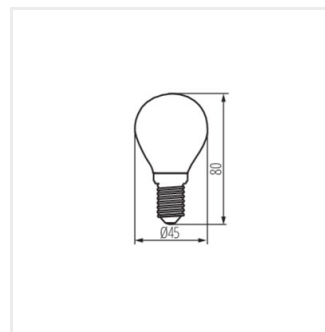
XLED W A60 8,5W-WW



XLED W ST64 7W-WW



XLED W C35E14 4,5W-WW



XLED W G45E14 4,5W-WW