



SHADE A-FR



SHADE A-FR	19170	transparentny
SHADE J/K-FR	26564	szroniony
SHADE J/K-W	26565	biały
SHADE J/K-FR 2m	26566	szroniony
SHADE J/K-W 2m	26567	biały
SHADE B/F-FR	26568	szroniony
SHADE B/F-W	26569	biały
SHADE B/F-FR 2M	26570	szroniony
SHADE B/F-W 2M	26571	biały
SHADE C/D/E/I-FR	26572	szroniony
SHADE C/D/E/I-FR 2M	26573	szroniony
SHADE C/D/E/I-W	26574	biały
SHADE C/D/E/I-W 2M	26575	biały
SHADE CK C/D/E/I-FR	26576	transparentny
SHADE CK C/D/E/I-FR2M	26577	transparentny
SHADE CK C/D/E/I-W	26578	biały
SHADE CK C/D/E/I-W 2M	26579	biały
SHADE CK G	26580	biały
SHADE CK G 2M	26581	biały
SHADE-U H-FR	26582	transparentny
SHADE-U H-FR 2m	26583	transparentny
SHADE-U H-W	26584	biały
SHADE-U H-W 2m	26585	biały
SHADE-O H-W	26586	biały
SHADE-O H-W 2m	26587	biały



SHADE A-FR



SHADE J/k-FR



SHADE J/k-W



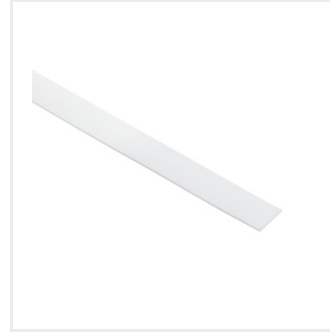
SHADE J/k-FR 2m



SHADE J/k-W 2m



SHADE B/F-FR



SHADE B/F-W



SHADE B/F-FR 2M



SHADE B/F-W 2M



SHADE C/D/E/I-FR



SHADE C/D/E/I-FR 2M



SHADE C/D/E/I-W



SHADE C/D/E/I-W 2M



SHADE CK C/D/E/I-FR



SHADE CK C/D/E/I-FR2M



SHADE CK C/D/E/I-W



SHADE CK C/D/E/I-W 2M



SHADE CK G



SHADE CK G 2M



SHADE-U H-FR



SHADE-U H-FR 2m



SHADE-U H-W



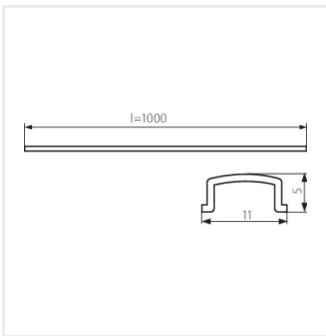
SHADE-U H-W 2m



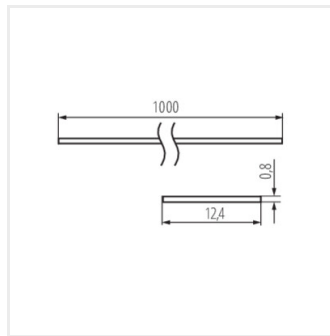
SHADE-O H-W



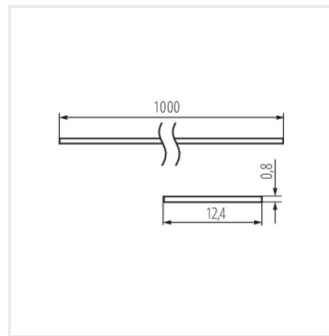
SHADE-O H-W 2m



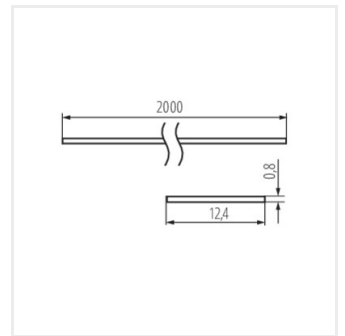
SHADE A-FR



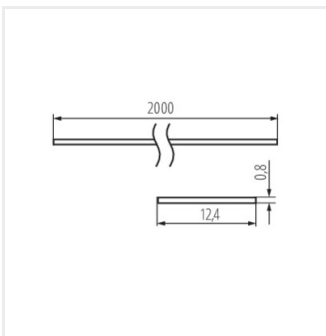
SHADE J/K-FR



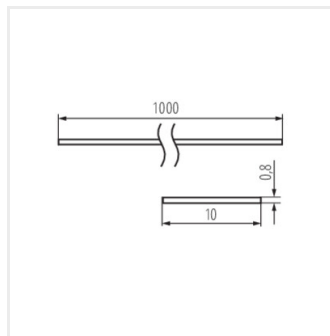
SHADE J/K-W



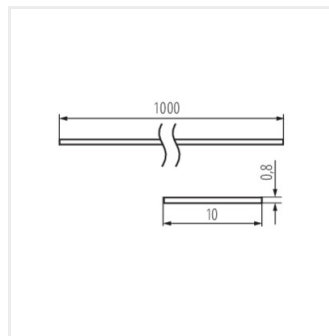
SHADE J/K-FR 2m



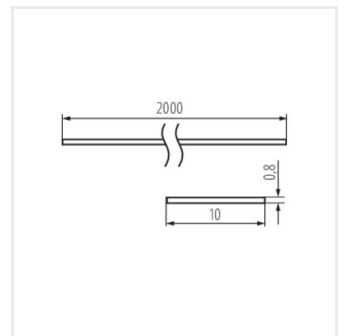
SHADE J/K-W 2m



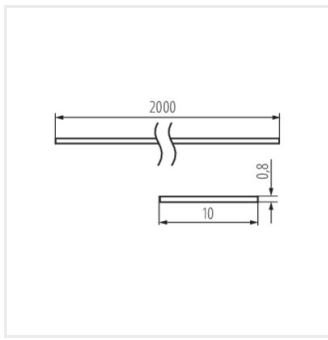
SHADE B/F-FR



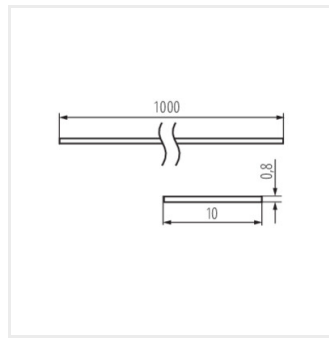
SHADE B/F-W



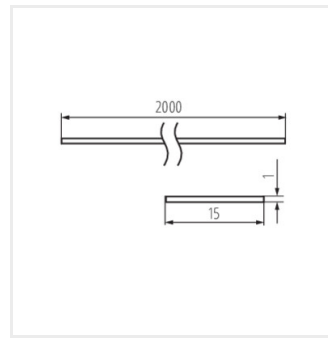
SHADE B/F-FR 2M



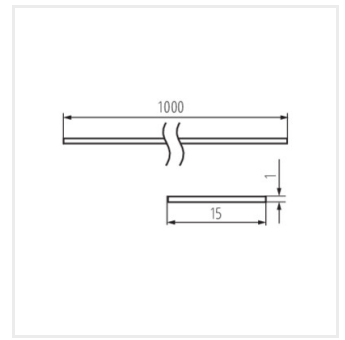
SHAE B/F-W 2M



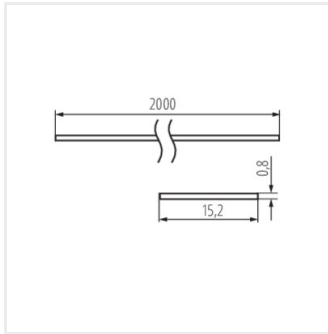
SHAE C/D/E/I-FR



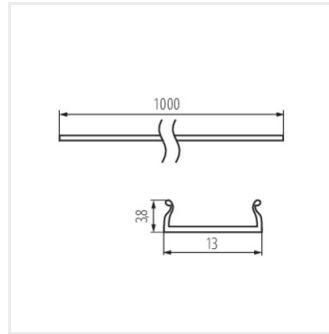
SHAE C/D/E/I-FR 2M



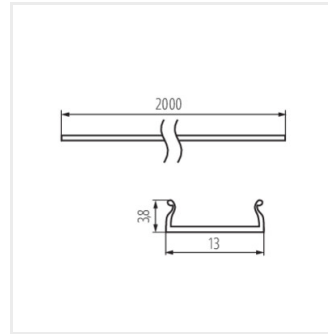
SHAE C/D/E/I-W



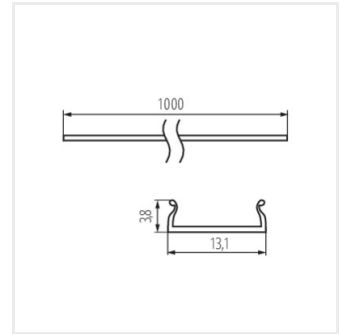
SHAE C/D/E/I-W 2M



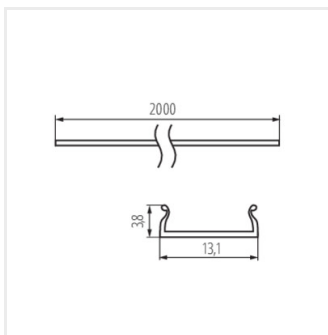
SHAE CK C/D/E/I-FR



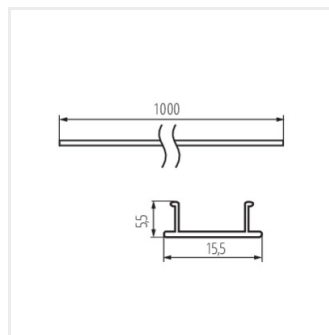
SHAE CK C/D/E/I-FR2M



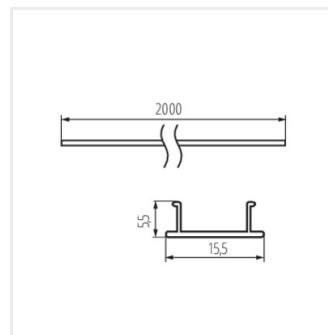
SHAE CK C/D/E/I-W



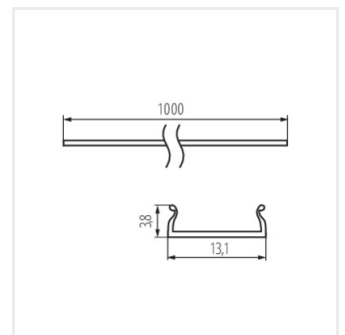
SHAE CK C/D/E/I-W 2M



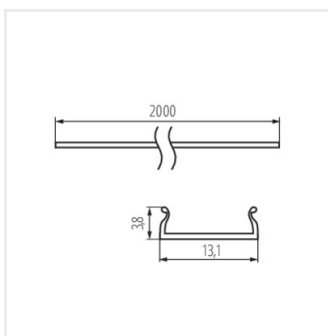
SHAE CK G



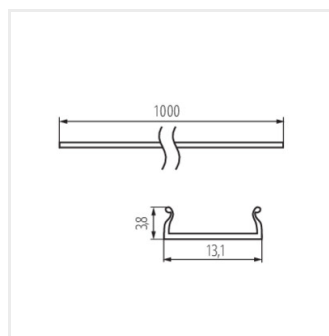
SHAE CK G 2M



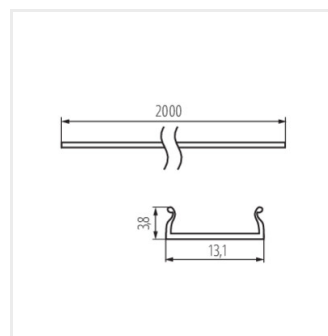
SHAE-U H-FR



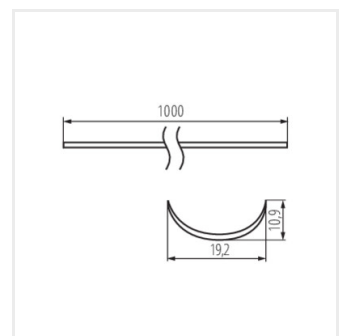
SHAE-U H-FR 2m



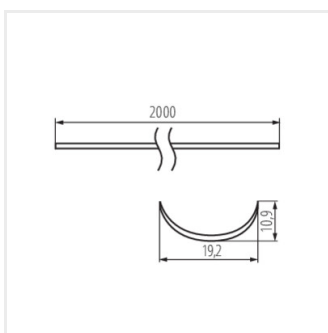
SHAE-U H-W



SHAE-U H-W 2m



SHAE-O H-W



SHAE-O H-W 2m

