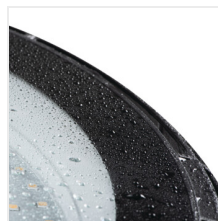
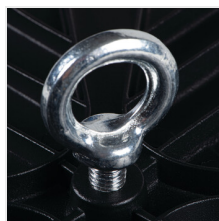


## HB UFO LED

Oprawa LED high bay



[V] 220-240 AC	[Hz] 50	[°] 110	≥25000	[h] 20000	ellipse ≤ 6x MacAdam	Ra 80
SMD			IP 65		[°C] -20÷40	
			1m	CE	EAC	UK CA



### HB UFO LED 100W-NW



	P [W]	[lm]	[lm] Φ <sub>use</sub>	T <sub>c</sub> [K]		
HB UFO LED 100W-NW <b>31405</b>	100	10000	8500	4000	czarny	F
HB UFO LED 150W-NW <b>31406</b>	150	15000	12600	4000	czarny	F
HB UFO LED 200W-NW <b>31407</b>	200	20000	17000	4000	czarny	F

- Materiał obudowy: stop aluminium
- Materiał szyby ochronnej: szkło hartowane



## HB UFO LED

### Oprawa LED high bay



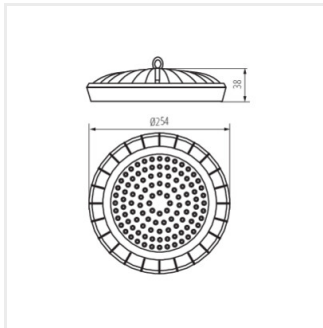
HB UFO LED 100W-NW



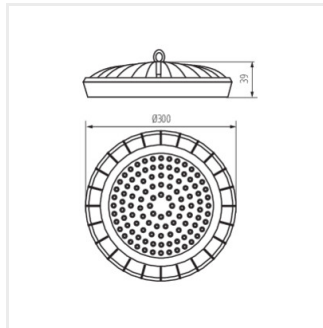
HB UFO LED 150W-NW



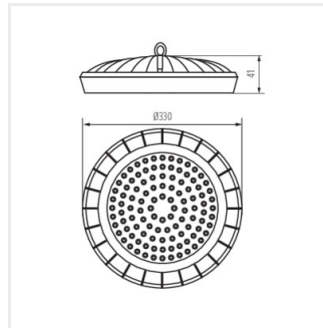
HB UFO LED 200W-NW



HB UFO LED 100W-NW



HB UFO LED 150W-NW



HB UFO LED 200W-NW