



| | | | | | | |
|---------------|--------|--------------------|----------------------------|-----------------|--|----------|
| [Hz] 50/60 | CC | PRI [V] 220-240 | SEC [V] 0,5-10 DC | SEC [mA] 350 | | IP 20 |
| | | | [mm ²] 0,75 | [m] 0,1 | | 5+25 |
| EAC | | | | | | |

ADI 350 1x3W

| | |
|-----|--|
| [V] | |
|-----|--|

| | | | |
|----------------|--------------|------------|-----|
| ADI 350 1x3W | 01440 | 220-240 AC | 1-3 |
| ADI 350 1x3W P | 23870 | 220-240 AC | 1-3 |

- Material: material din plastic



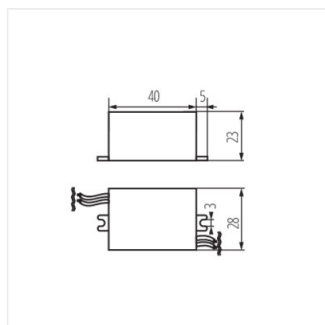
ADI 350 1x3W



ADI 350 1x3W P

ADI

Sursă de alimentare CC



ADI 350 1x3W