

Twilight switch

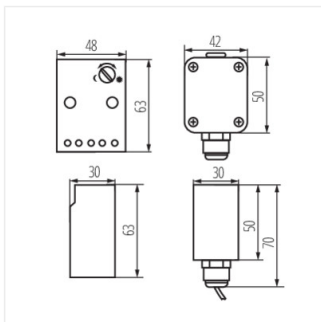
 220-240 AC	 50/60	 10	 2300	 -20+40		
 IP 20/65						



AZ-10A **22371** white wall mounted

Kanlux AZ-10 is a dusk and dawn light switch system. It is used for turning on and turning off lighting circuits or other electric receivers, depending on the natural light intensity level (day/night).

- Hysteresis ~20Lx



AZ-10A