

KLI

TH35 rail-mounted voltage detector



KLI-R



KLI-R	23320	220-240 AC	1
KLI-G	23321	220-240 AC	1
KLI-Y	23322	220-240 AC	1

LED light indicator is used to signal the status of electrical circuits.



KLI-R



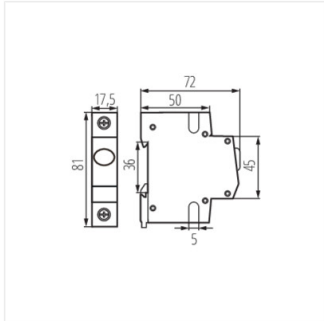
KLI-G



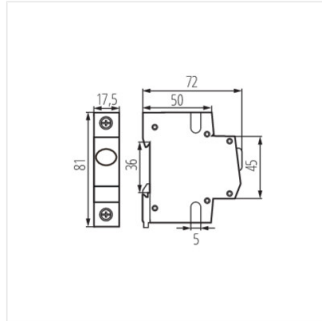
KLI-Y

KLI

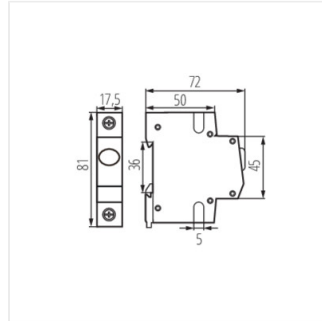
TH35 rail-mounted voltage detector



KLI-R



KLI-G



KLI-Y