

LOGI 02-1070

Cross connector



LOGI 02-1070-102 bi



LOGI 02-1070-102 bi	25074	white
LOGI 02-1070-103 kr	25134	Ecru
LOGI 02-1070-143 sr	25193	silver
LOGI 02-1070-141 gr	25252	graphite
LOGI 02-1070-142 cm	33619	black matt

A crossbar switch is used for cooperation with single-pole double-throw switches in order to control the circuit of a lamp or a group of lamps from more than two places. A crossbar switch is installed between single-pole double-throw switches.

- Plastic: ABS

LOGI 02-1070

Cross connector



LOGI 02-1070-102 bi



LOGI 02-1070-103 kr



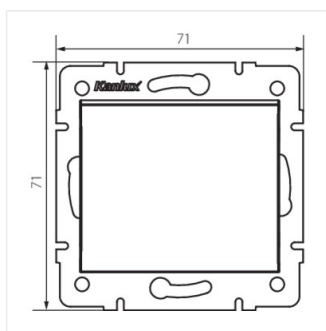
LOGI 02-1070-143 sr



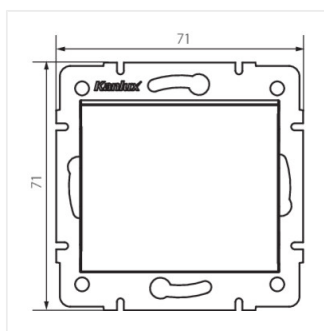
LOGI 02-1070-141 gr



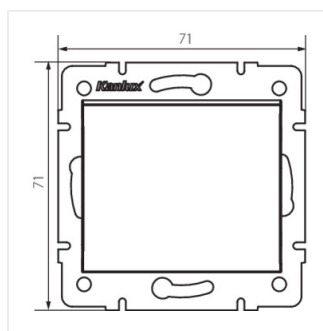
LOGI 02-1070-142 cm



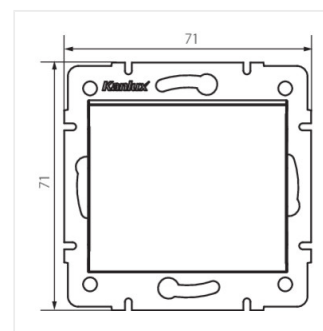
LOGI 02-1070-102 bi



LOGI 02-1070-103 kr



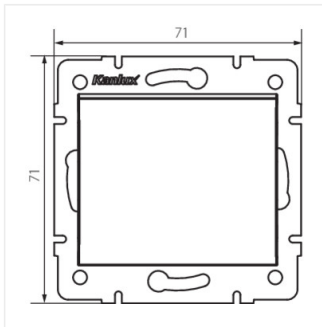
LOGI 02-1070-143 sr



LOGI 02-1070-141 gr

LOGI 02-1070

Cross connector



LOGI 02-1070-142 cm