

TP SLIM LED

Corp de iluminat liniar LED



up to
110 $\frac{\text{lm}}{\text{W}}$



$[V]$ 220-240 AC	$[Hz]$ 50	 ≥ 20000	 25000	 elliptic $\leq 6^\circ$ MacAdam	 Ra 80	 SMD
		IP 65		 $-20 \div 40$		IK 08
	$[mm^2]$ 1-2,5	\varnothing — m 0,5m	CE	EAC	UK CA	



	 [W]	 [lm]	 T_c [K]	 [$^\circ$]	
TP SLIM LED 40W-NW	27115	40	4400	4000	X145/Y110 alb
TP SLIM LED 50W-NW	27116	50	5500	4000	X145/Y110 alb

- Materialul carcasei: material din plastic
- Materialul abajurului: material din plastic



TP SLIM LED

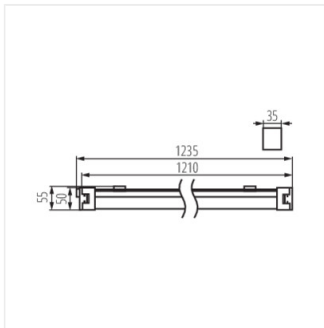
Corp de iluminat liniar LED



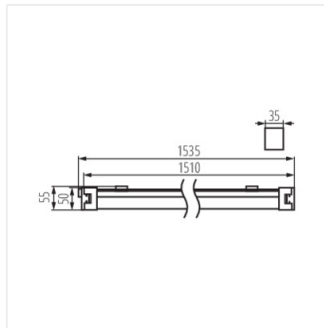
TP SLIM LED 40W-NW



TP SLIM LED 50W-NW



TP SLIM LED 40W-NW



TP SLIM LED 50W-NW