

## FUTURIO LED 37W 1180mm

Corp de iluminat LED rezistent la praf



[V] 220-240 AC	[Hz] 50	≥30000	50000	ellipse ≤3x MacAdam	Ra 80	SMD
		<b>IP</b> 65			<b>IK</b> 08	
[mm] 1,5+2,5	0,5m	<b>CE</b>	<b>EAC</b>	<b>PZH</b>	<b>UK</b> <b>CA</b>	



### FT1200 37W-840-OPL

	[W]	Tc [K]	TYPE	[°]	[lm]	lm W	[mm]	[°C]	
FT1200 37W-840-OPL	<b>28630</b>	37	4000	opalescent	X130/Y110	5000	135	1180	-25÷40
FT1200 37W-840-RYF	<b>28631</b>	37	4000	grooved	X115/Y105	5400	146	1180	-25÷40
FT1200 37W-840-INT	<b>28633</b>	37	4000	prismatic, fascicul îngust	X70/Y95	5200	141	1180	-25÷40
FT1200 37W-840-ASY	<b>28634</b>	37	4000	prismatic, asimetric	X75/Y95	5200	141	1180	-25÷40

- Materialul carcasei: PC
- Materialul abajurului: PC



FT1200 37W-840-OPL



FT1200 37W-840-RYF



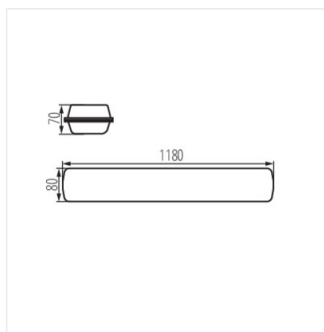
FT1200 37W-840-INT



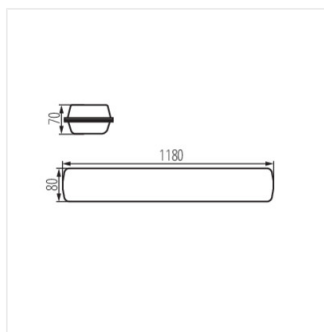
FT1200 37W-840-ASY

## FUTURIO LED 37W 1180mm

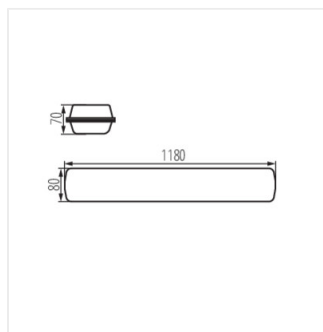
Corp de iluminat LED rezistent la praf



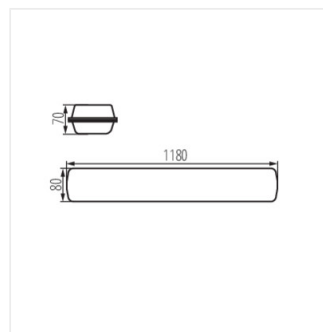
FT1200 37W-840-OPL



FT1200 37W-840-RYF



FT1200 37W-840-INT



FT1200 37W-840-ASY