

GU10 LED

Sursă de lumină LED



[V] 220-240 AC	[Hz] 50	PAR16	SMD	120° Φ _{use}	ellipse ≤ 6x MacAdam	Ra 80
≥15000	15000 ^[h]	Hg	Pb	CE	EAC	UK CA
↓						

GU10 4W-WW LED

	PON [W]	[W]	[lm]	[lm] Φ _{use}	Tc [K]	[°]		Ei [A] [G]
GU10 4W-WW LED 31230	4	35	380	320	3000	100	GU10	G
GU10 4W-NW LED 31231	4	35	380	320	4000	100	GU10	G
GU10 4W-CW LED 31232	4	35	380	320	5000	100	GU10	G
GU10 6W-WW LED 31233	6	45	520	430	3000	100	GU10	G
GU10 6W-NW LED 31234	6	45	520	430	4000	100	GU10	G
GU10 6W-CW LED 31235	6	45	520	430	5000	100	GU10	G
GU10 8W-WW LED 31236	8	57	690	560	3000	100	GU10	G
GU10 8W-NW LED 31237	8	57	690	560	4000	100	GU10	G
GU10 8W-CW LED 31238	8	57	690	560	5000	100	GU10	G

- Materialul abajurului: material din plastic

GU10 LED

Sursă de lumină LED



GU10 4W-WW LED



GU10 4W-NW LED



GU10 4W-CW LED



GU10 6W-WW LED



GU10 6W-NW LED



GU10 6W-CW LED



GU10 8W-WW LED



GU10 8W-NW LED



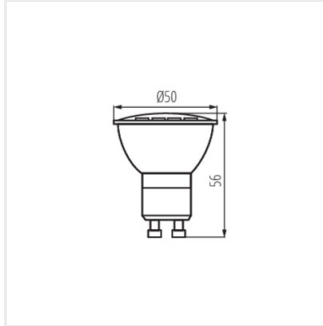
GU10 8W-CW LED

Date of issue: 14.03.2023, 12:17

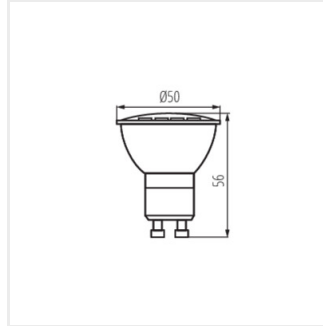
Ne rezervăm dreptul de a face modificări tehnice. Datele conținute în acest material nu sunt obligatorii din punct de vedere juridic.

GU10 LED

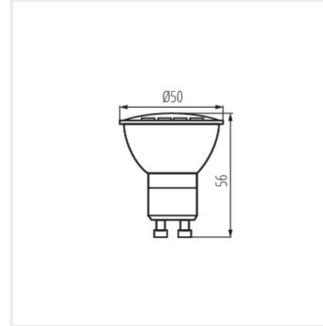
Sursă de lumină LED



GU10 4W LED



GU10 6W LED



GU10 8W LED