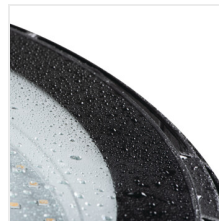


HB UFO LED

Corp de iluminat LED high bay



[V] 220-240 AC	[Hz] 50	[°] 110	 ≥25000	[h] 20000	ellipse ≤ 6x MacAdam	Ra 80
SMD			IP 65		[°C] -20÷40	
		 1m		CE	EAC	UK CA



HB UFO LED 100W-NW



Model	Power [W]	lm	lm) Φ _{use}	T _c [K]	Color	Beam Angle
HB UFO LED 100W-NW 31405	100	10000	8500	4000	negru	F
HB UFO LED 150W-NW 31406	150	15000	12600	4000	negru	F
HB UFO LED 200W-NW 31407	200	20000	17000	4000	negru	F

- Materialul carcasei: aliaj de aluminiu
- Materialul geamului de protecție: sticlă călită



HB UFO LED

Corp de iluminat LED high bay



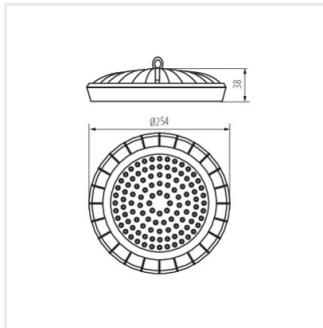
HB UFO LED 100W-NW



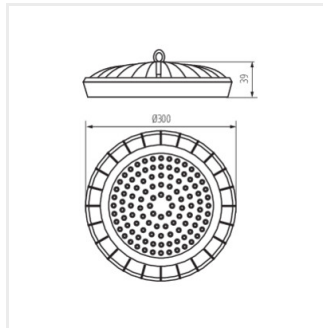
HB UFO LED 150W-NW



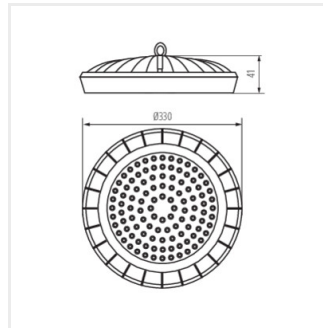
HB UFO LED 200W-NW



HB UFO LED 100W-NW



HB UFO LED 150W-NW



HB UFO LED 200W-NW