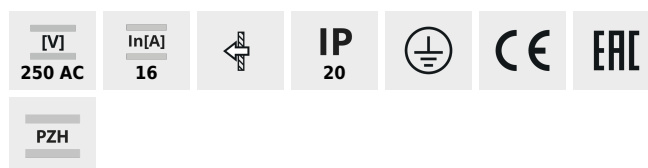


## LOGI 02-1250

Type E single power socket with contact protection



LOGI 02-1250-102 bi



LOGI 02-1250-102 bi	<b>25089</b>	white
LOGI 02-1250-103 kr	<b>25149</b>	Ecru
LOGI 02-1250-143 sr	<b>25208</b>	silver
LOGI 02-1250-141 gr	<b>25267</b>	graphite
LOGI 02-1250-142 cm	<b>33603</b>	black matt

A grounded single socket outlet allows you to power an electrical circuit with a maximum load of 16A. In addition, the socket outlet has a contact cover that protects you against electrical shock.

- Plastic: ABS

## LOGI 02-1250

Type E single power socket with contact protection



LOGI 02-1250-102 bi



LOGI 02-1250-103 kr



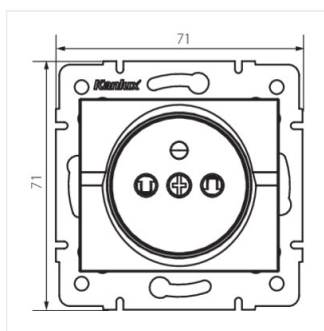
LOGI 02-1250-143 sr



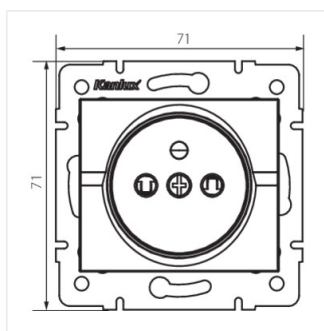
LOGI 02-1250-141 gr



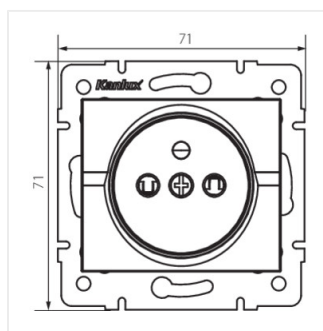
LOGI 02-1250-142 cm



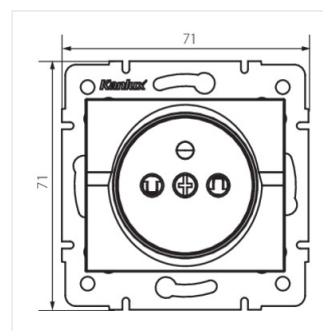
LOGI 02-1250-102 bi



LOGI 02-1250-103 kr



LOGI 02-1250-143 sr

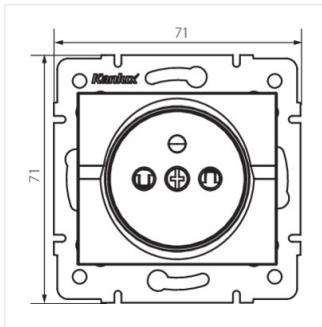


LOGI 02-1250-141 gr

## LOGI 02-1250

---

Type E single power socket with contact protection



LOGI 02-1250-142 cm