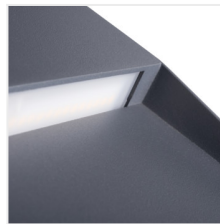


## DULI LED

Corp de iluminat de perete



[V] 220-240 AC	[Hz] 50	$\geq 25000$	[h] 30000	ellipse $\leq 6^\circ$ MacAdam	Ra 80	SMD
		<b>IP</b> 54	0,2m	°C -15+35		
	[mm <sup>2</sup> ] 0,75-1,5	360° Øuse				



### DULI LED 4W-NW-L-GR

	[W]	[lm]	T <sub>c</sub> [K]	
DULI LED 4W-NW-L-GR	<b>33750</b>	4	100	4000 antracit
DULI LED 4W-NW-O-GR	<b>33751</b>	4	100	4000 antracit
DULI LED 6,5W-NW-L-GR	<b>33752</b>	6,5	270	4000 antracit
DULI LED 6,5W-NW-O-GR	<b>33753</b>	6,5	270	4000 antracit

- Materialul carcasei: aliaj de aluminiu
- Materialul geamului de protecție: PC

## DULI LED

Corp de iluminat de perete



DULI LED 4W-NW-L-GR



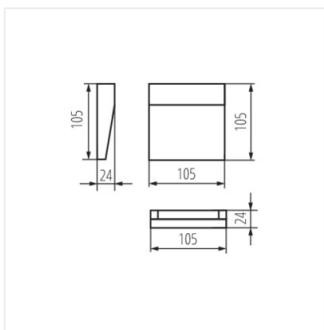
DULI LED 4W-NW-O-GR



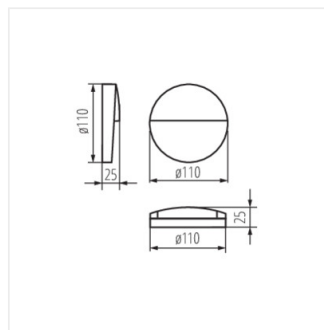
DULI LED 6,5W-NW-L-GR



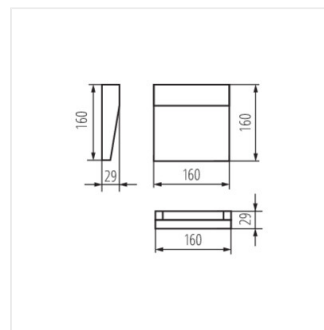
DULI LED 6,5W-NW-O-GR



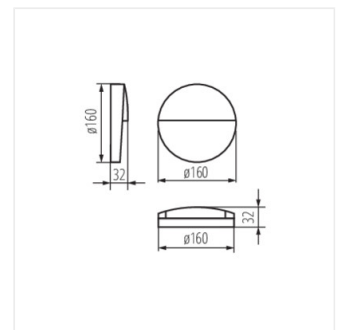
DULI LED 4W-NW-L-GR



DULI LED 4W-NW-O-GR



DULI LED 6,5W-NW-L-GR



DULI LED 6,5W-NW-O-GR