

### Corp de iluminat liniar LED



|                               |            |                 |              |   |          |     |
|-------------------------------|------------|-----------------|--------------|---|----------|-----|
| [V]<br>220-240 AC             | [Hz]<br>50 | $\geq 30000$    | [h]<br>50000 | ellipse<br>$\leq 3 \times \text{MacAdam}$ | Ra<br>80 | SMD |
|                               |            | <b>IP</b><br>20 |              | [°C]<br>5÷25                              |          |     |
| [mm <sup>2</sup> ]<br>1,5÷2,5 |            | 0,5m            |              |   |          |     |



### AL-SL-NW-MAT-W-PT

|                   | [W]          | Tc [K] |      | [°]            |         | [lm]     | [mm] |     |
|-------------------|--------------|--------|------|----------------|---------|----------|------|-----|
| AL-SL-NW-MAT-W-PT | <b>33936</b> | 10     | 4000 | mat            | X85/Y95 | alb      | 1300 | 590 |
| AL-SL-WW-MAT-W-PT | <b>33938</b> | 10     | 3000 | mat            | X85/Y95 | alb      | 1150 | 590 |
| AL-SL-NW-MPR-W-PT | <b>33940</b> | 10     | 4000 | microprismatic | X75/Y90 | alb      | 1200 | 590 |
| AL-SL-WW-MPR-W-PT | <b>33942</b> | 10     | 3000 | microprismatic | X75/Y90 | alb      | 1050 | 590 |
| AL-SL-NW-MAT-B-PT | <b>33948</b> | 10     | 4000 | mat            | X85/Y95 | negru    | 1300 | 590 |
| AL-SL-WW-MAT-B-PT | <b>33950</b> | 10     | 3000 | mat            | X85/Y95 | negru    | 1150 | 590 |
| AL-SL-NW-MPR-B-PT | <b>33952</b> | 10     | 4000 | microprismatic | X75/Y90 | negru    | 1200 | 590 |
| AL-SL-WW-MPR-B-PT | <b>33954</b> | 10     | 3000 | microprismatic | X75/Y90 | negru    | 1050 | 590 |
| AL-SL-NW-MAT-S-PT | <b>33960</b> | 10     | 4000 | mat            | X85/Y95 | argintiu | 1300 | 590 |
| AL-SL-WW-MAT-S-PT | <b>33962</b> | 10     | 3000 | mat            | X85/Y95 | argintiu | 1150 | 590 |
| AL-SL-NW-MPR-S-PT | <b>33964</b> | 10     | 4000 | microprismatic | X75/Y90 | argintiu | 1200 | 590 |
| AL-SL-WW-MPR-S-PT | <b>33966</b> | 10     | 3000 | microprismatic | X75/Y90 | argintiu | 1050 | 590 |

- 5 ani Garanție în conformitate cu prevederile declarației de garanție, disponibile pe site
- Materialul carcasei: oțel
- Materialul abajurului: material din plastic

## AL-SL-PT

Corp de iluminat liniar LED



AL-SL-NW-MAT-W-PT



AL-SL-WW-MAT-W-PT



AL-SL-NW-MPR-W-PT



AL-SL-WW-MPR-W-PT



AL-SL-NW-MAT-B-PT



AL-SL-WW-MAT-B-PT



AL-SL-NW-MPR-B-PT



AL-SL-WW-MPR-B-PT



AL-SL-NW-MAT-S-PT



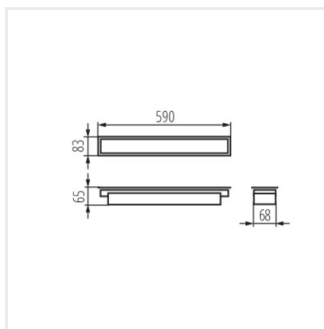
AL-SL-WW-MAT-S-PT



AL-SL-NW-MPR-S-PT



AL-SL-WW-MPR-S-PT



ALD-SL