

## AL-LH-PT

Corp de iluminat liniar LED



[V] 220-240 AC	[Hz] 50	$\geq 30000$	[h] 50000	ellipse $\leq 3x$ MacAdam	Ra 80	SMD
		<b>IP</b> 20		[°C] 5÷25		
[mm <sup>2</sup> ] 1,5÷2,5		0,5m				



### AL-LH-NW-MAT-W-PT

	[W]	Tc [K]	TYPE	[°]		[mm]	
AL-LH-NW-MAT-W-PT	<b>34117</b>	52	4000	mat	X85/Y95	alb	6300 1710
AL-LH-WW-MAT-W-PT	<b>34119</b>	52	3000	mat	X85/Y95	alb	5600 1710
AL-LH-NW-MPR-W-PT	<b>34121</b>	52	4000	microprismatic	X75/Y90	alb	5800 1710
AL-LH-WW-MPR-W-PT	<b>34123</b>	52	3000	microprismatic	X75/Y90	alb	5150 1710
AL-LH-NW-MAT-B-PT	<b>34129</b>	52	4000	mat	X85/Y95	negru	6300 1710
AL-LH-WW-MAT-B-PT	<b>34131</b>	52	3000	mat	X85/Y95	negru	5600 1710
AL-LH-NW-MPR-B-PT	<b>34133</b>	52	4000	microprismatic	X75/Y90	negru	5800 1710
AL-LH-WW-MPR-B-PT	<b>34135</b>	52	3000	microprismatic	X75/Y90	negru	5150 1710
AL-LH-NW-MAT-S-PT	<b>34141</b>	52	4000	mat	X85/Y95	argintiu	6300 1710
AL-LH-WW-MAT-S-PT	<b>34143</b>	52	3000	mat	X85/Y95	argintiu	5600 1710
AL-LH-NW-MPR-S-PT	<b>34145</b>	52	4000	microprismatic	X75/Y90	argintiu	5800 1710
AL-LH-WW-MPR-S-PT	<b>34147</b>	52	3000	microprismatic	X75/Y90	argintiu	5150 1710

- 5 ani Garanție în conformitate cu prevederile declarației de garanție, disponibile pe site
- Materialul carcasei: oțel
- Materialul abajurului: material din plastic

## AL-LH-PT

Corp de iluminat liniar LED



AL-LH-NW-MAT-W-PT



AL-LH-WW-MAT-W-PT



AL-LH-NW-MPR-W-PT



AL-LH-WW-MPR-W-PT



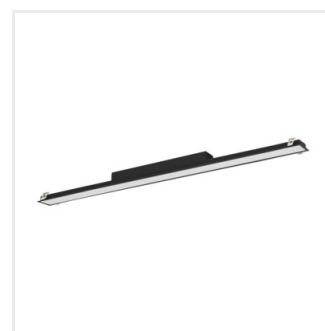
AL-LH-NW-MAT-B-PT



AL-LH-WW-MAT-B-PT



AL-LH-NW-MPR-B-PT



AL-LH-WW-MPR-B-PT

## AL-LH-PT

### Corp de iluminat liniar LED



AL-LH-NW-MAT-S-PT



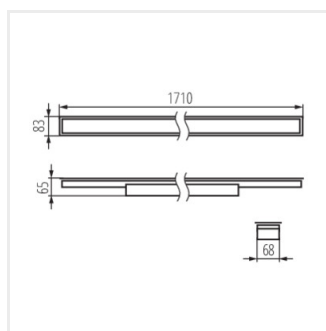
AL-LH-WW-MAT-S-PT



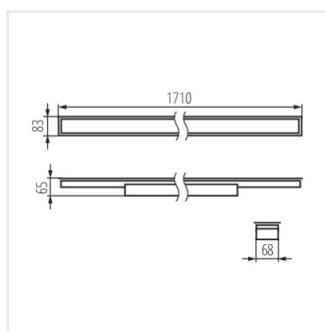
AL-LH-NW-MPR-S-PT



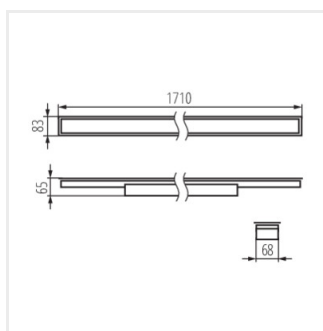
AL-LH-WW-MPR-S-PT



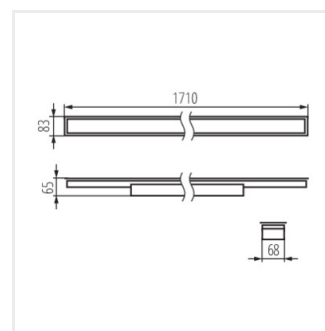
AL-LH-NW-MAT-W-PT



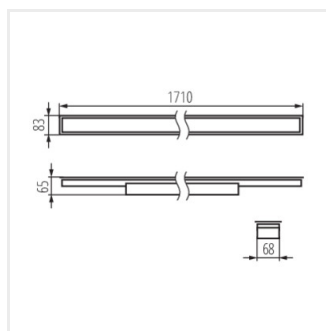
AL-LH-WW-MAT-W-PT



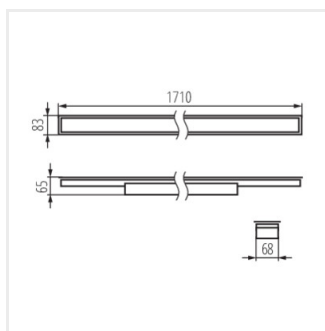
AL-LH-NW-MPR-W-PT



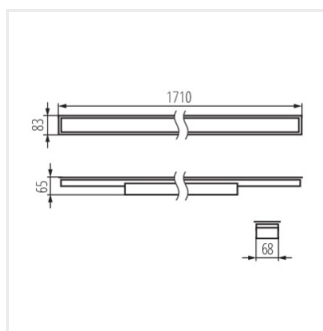
AL-LH-WW-MPR-W-PT



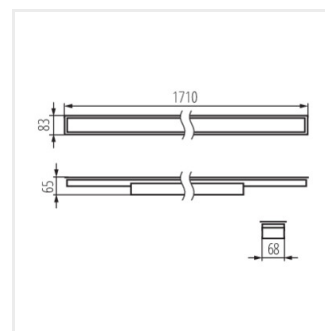
AL-LH-NW-MAT-B-PT



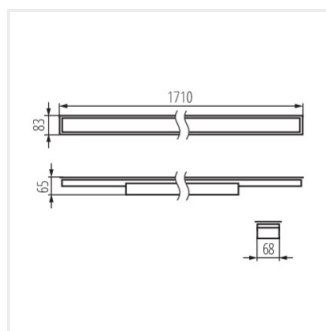
AL-LH-WW-MAT-B-PT



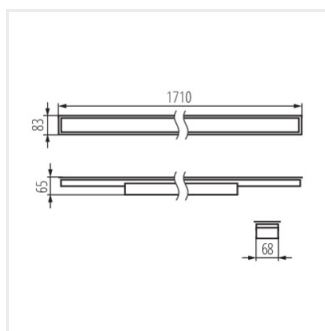
AL-LH-NW-MPR-B-PT



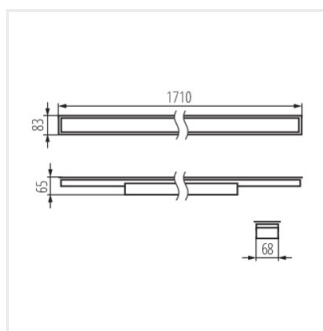
AL-LH-WW-MPR-B-PT



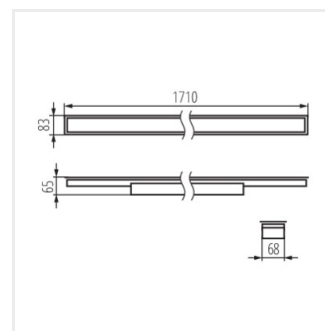
AL-LH-NW-MAT-S-PT



AL-LH-WW-MAT-S-PT



AL-LH-NW-MPR-S-PT



AL-LH-WW-MPR-S-PT