

## ALD-SH-PT

Corp de iluminat liniar LED



[V] 220-240 AC	[Hz] 50	≥30000	[h] 50000	ellipse ≤3x MacAdam	Ra 80	SMD
DALI		IP 20		[°C] 5÷25		
[mm] 0,5÷2,5		0,5m	CE	EAC	UK CA	



### ALD-SH-NW-MAT-W-PT

	[W]	Tc [K]	TYPE	[°]	[mm]	[mm]
ALD-SH-NW-MAT-W-PT	<b>34189</b>	19	4000	mat	X85/Y95	alb 2550 590
ALD-SH-WW-MAT-W-PT	<b>34191</b>	19	3000	mat	X85/Y95	alb 2250 590
ALD-SH-NW-MPR-W-PT	<b>34193</b>	19	4000	microprismatic	X75/Y90	alb 2350 590
ALD-SH-WW-MPR-W-PT	<b>34195</b>	19	3000	microprismatic	X75/Y90	alb 2050 590
ALD-SH-NW-MAT-B-PT	<b>34201</b>	19	4000	mat	X85/Y95	alb 2550 590
ALD-SH-WW-MAT-B-PT	<b>34203</b>	19	3000	mat	X85/Y95	negru 2250 590
ALD-SH-NW-MPR-B-PT	<b>34205</b>	19	4000	microprismatic	X75/Y90	negru 2350 590
ALD-SH-WW-MPR-B-PT	<b>34207</b>	19	3000	microprismatic	X75/Y90	negru 2050 590
ALD-SH-NW-MAT-S-PT	<b>34213</b>	19	4000	mat	X85/Y95	argintiu 2550 590
ALD-SH-WW-MAT-S-PT	<b>34215</b>	19	3000	mat	X85/Y95	argintiu 2250 590
ALD-SH-NW-MPR-S-PT	<b>34217</b>	19	4000	microprismatic	X75/Y90	argintiu 2350 590
ALD-SH-WW-MPR-S-PT	<b>34219</b>	19	3000	microprismatic	X75/Y90	argintiu 2050 590

- 5 ani Garanție în conformitate cu prevederile declarației de garanție, disponibile pe site
- Materialul carcasei: oțel
- Materialul abajurului: material din plastic

## ALD-SH-PT

Corp de iluminat liniar LED



ALD-SH-NW-MAT-W-PT



ALD-SH-WW-MAT-W-PT



ALD-SH-NW-MPR-W-PT



ALD-SH-WW-MPR-W-PT



ALD-SH-NW-MAT-B-PT



ALD-SH-WW-MAT-B-PT



ALD-SH-NW-MPR-B-PT



ALD-SH-WW-MPR-B-PT



ALD-SH-NW-MAT-S-PT



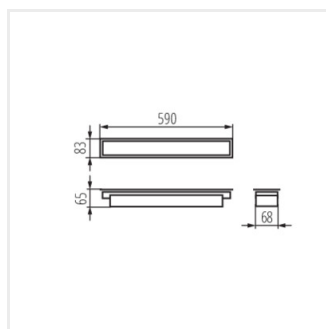
ALD-SH-WW-MAT-S-PT



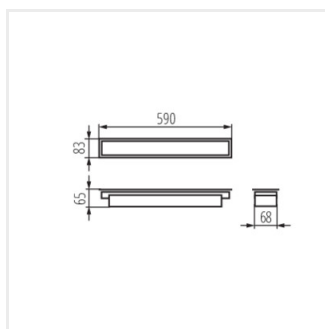
ALD-SH-NW-MPR-S-PT



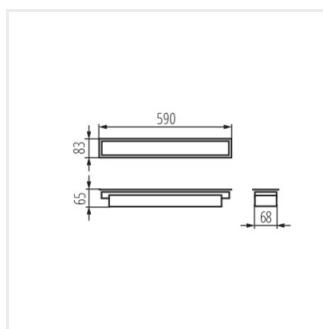
ALD-SH-WW-MPR-S-PT



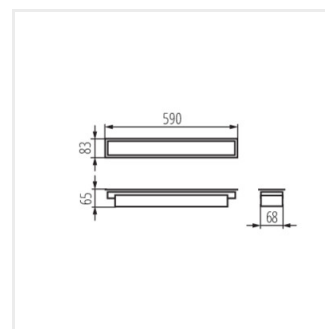
ALD-SH-NW-MAT-W-PT



ALD-SH-WW-MAT-W-PT



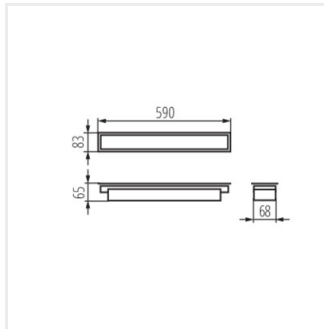
ALD-SH-NW-MPR-W-PT



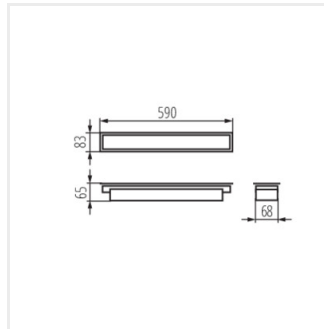
ALD-SH-WW-MPR-W-PT

## ALD-SH-PT

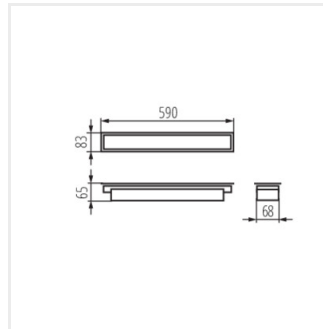
Corp de iluminat liniar LED



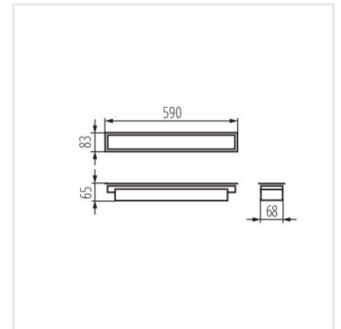
ALD-SH-NW-MAT-B-PT



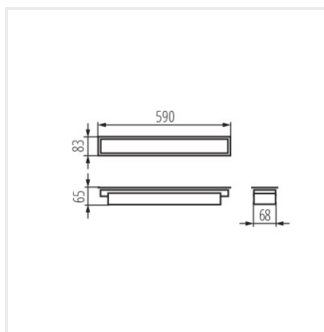
ALD-SH-WW-MAT-B-PT



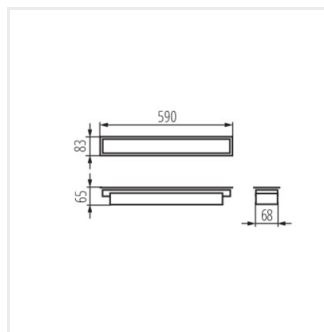
ALD-SH-NW-MPR-B-PT



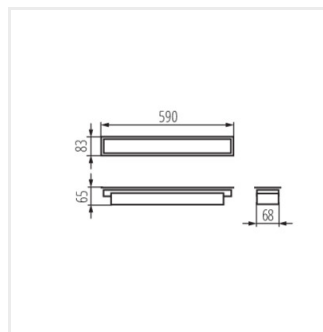
ALD-SH-WW-MPR-B-PT



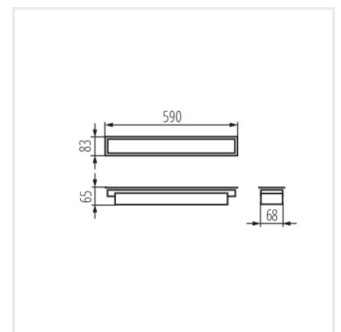
ALD-SH-NW-MAT-S-PT



ALD-SH-WW-MAT-S-PT



ALD-SH-NW-MPR-S-PT



ALD-SH-WW-MPR-S-PT