

HIERRO

Corp de iluminat liniar LED



[V] 220-240 AC	[Hz] 50	≥ 30000	[h] 50000	ellipse $\leq 6x$ MacAdam	Ra 80	SMD
		IP 20		[°C] 5÷25		0,5m



HR-SL-WW-W-RM

	[W]	Tc [K]	TYPE	[°]		[mm]	
HR-SL-WW-W-RM	37108	9	3000	raster	X60/Y60	alb	1150 290
HR-SH-WW-W-RM	37109	14	3000	raster	X60/Y60	alb	1650 290
HR-SL-WW-B-RM	37115	9	3000	raster	X60/Y60	negru	1050 290
HR-SH-WW-B-RM	37116	14	3000	raster	X60/Y60	negru	1450 290
HR-SL-WN-W-RM	37122	9	3500	raster	X60/Y60	alb	1200 290
HR-SH-WN-W-RM	37123	14	3500	raster	X60/Y60	alb	1700 290
HR-SL-WN-B-RM	37129	9	3500	raster	X60/Y60	negru	1050 290
HR-SH-WN-B-RM	37130	14	3500	raster	X60/Y60	negru	1500 290
HR-SL-NW-W-RM	37136	9	4000	raster	X60/Y60	alb	1250 290
HR-SH-NW-W-RM	37137	14	4000	raster	X60/Y60	alb	1700 290
HR-SL-NW-B-RM	37143	9	4000	raster	X60/Y60	negru	1100 290
HR-SH-NW-B-RM	37144	14	4000	raster	X60/Y60	negru	1550 290
HR-SH-WN-WB-RM	37626	14	3500	raster	X60/Y60	alb	1500 290

- Materialul carcasei: oțel, material din plastic
- Materialul abajurului: material din plastic

Date of issue: 20.02.2024, 21:28

Ne rezervăm dreptul de a face modificări tehnice. Datele conținute în acest material nu sunt obligatorii din punct de vedere juridic.

HIERRO

Corp de iluminat liniar LED



HR-SL-WW-W-RM



HR-SH-WW-W-RM



HR-SL-WW-B-RM



HR-SH-WW-B-RM



HR-SL-WN-W-RM



HR-SH-WN-W-RM



HR-SL-WN-B-RM



HR-SH-WN-B-RM

HIERRO

Corp de iluminat liniar LED



HR-SL-NW-W-RM



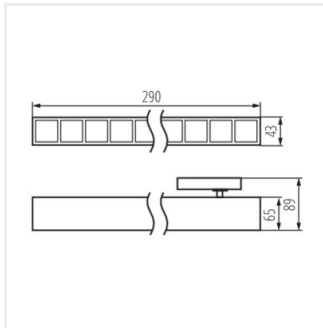
HR-SH-NW-W-RM



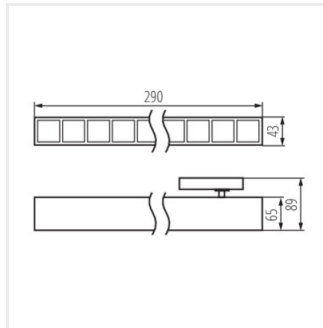
HR-SL-NW-B-RM



HR-SH-NW-B-RM



HR-SH-RM



HR-SH-RM

