

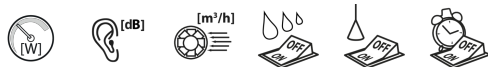
TWISTER

Ventilator de canal



TWISTER AOL100B

[V] 220-240 AC	[Hz] 50	IP X4				 rpm 2550
	 1	CE	EAC	UK CA		



TWISTER AOL100B	70926	19	42	100		
TWISTER AOL100T	70953	19	42	100		da
TWISTER AOL120B	70956	20	42	150		
TWISTER AOL120T	70960	20	42	150		da



TWISTER

Ventilator de canal



TWISTER AOL100B



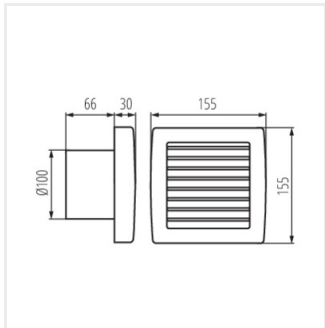
TWISTER AOL100T



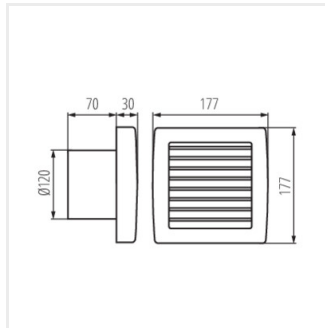
TWISTER AOL120B



TWISTER AOL120T



TWISTER AOL100



TWISTER AOL120