

SHADE

Difúzor k hliníkovým profilom



SHADE A-FR

SHADE

Difúzor k hliníkovým profilom



SHADE A-FR	19170	transparentná
SHADE J/K-FR	26564	matná
SHADE J/K-W	26565	biela
SHADE J/K-FR 2m	26566	matná
SHADE J/K-W 2m	26567	biela
SHADE B/F-FR	26568	matná
SHADE B/F-W	26569	matná
SHADE B/F-FR 2M	26570	matná
SHADE B/F-W 2M	26571	matná
SHADE C/D/E/I-FR	26572	matná
SHADE C/D/E/I-FR 2M	26573	matná
SHADE C/D/E/I-W	26574	biela
SHADE C/D/E/I-W 2M	26575	biela
SHADE CK C/D/E/I-FR	26576	transparentná
SHADE CK C/D/E/I-FR2M	26577	transparentná
SHADE CK C/D/E/I-W	26578	biela
SHADE CK C/D/E/I-W 2M	26579	biela
SHADE CK G	26580	biela
SHADE CK G 2M	26581	biela
SHADE-U H-FR	26582	transparentná
SHADE-U H-FR 2m	26583	transparentná
SHADE-U H-W	26584	biela
SHADE-U H-W 2m	26585	biela
SHADE-O H-W	26586	biela
SHADE-O H-W 2m	26587	biela



SHADE A-FR



SHADE J/K-FR



SHADE J/K-W



SHADE J/K-FR 2m

SHADE

Difúzor k hliníkovým profilom



SHADE J/K-W 2m



SHADE B/F-FR



SHADE B/F-W



SHADE B/F-FR 2M



SHADE B/F-W 2M



SHADE C/D/E/I-FR



SHADE C/D/E/I-FR 2M



SHADE C/D/E/I-W



SHADE C/D/E/I-W 2M



SHADE CK C/D/E/I-FR



SHADE CK C/D/E/I-FR2M



SHADE CK C/D/E/I-W



SHADE CK C/D/E/I-W 2M



SHADE CK G



SHADE CK G 2M



SHADE-U H-FR

SHADE

Difúzor k hliníkovým profilom



SHADE-U H-FR 2m



SHADE-U H-W



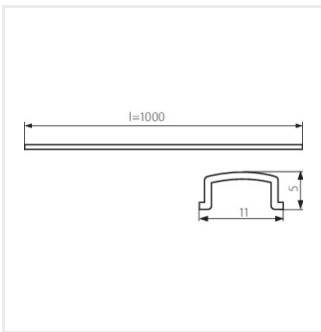
SHADE-U H-W 2m



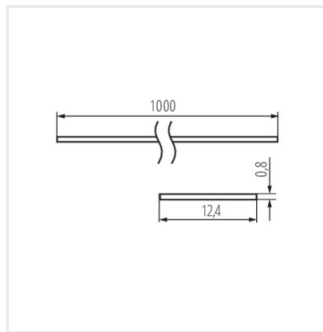
SHADE-O H-W



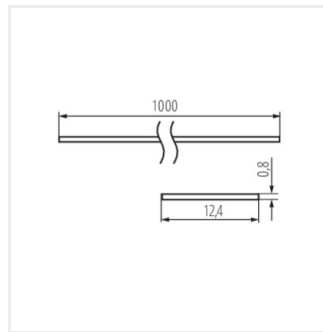
SHADE-O H-W 2m



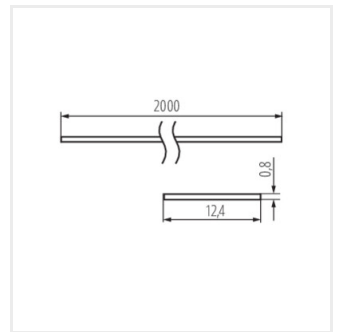
SHADE A-FR



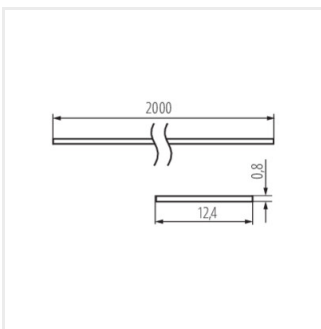
SHADE J/K-FR



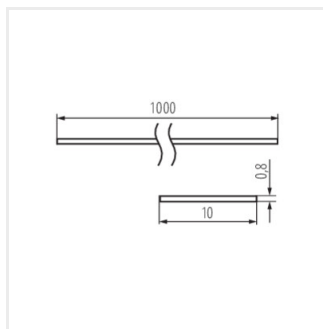
SHADE J/K-W



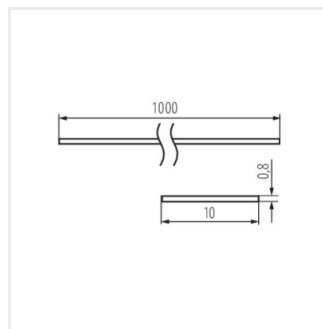
SHADE J/K-FR 2m



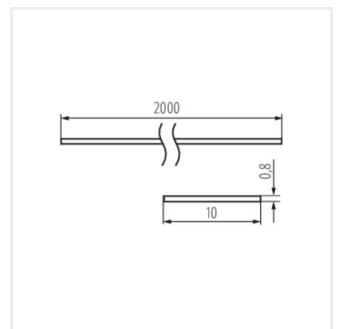
SHADE J/K-W 2m



SHADE B/F-FR



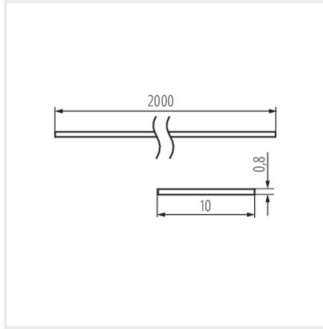
SHADE B/F-W



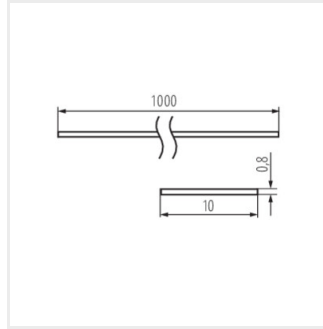
SHADE B/F-FR 2M

SHADE

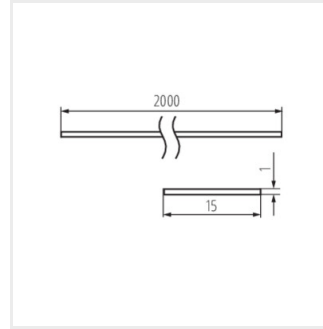
Difúzor k hliníkovým profilom



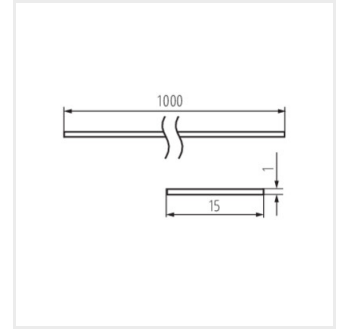
SHAE B/F-W 2M



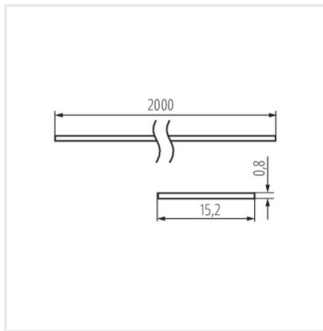
SHAE C/D/E/I-FR



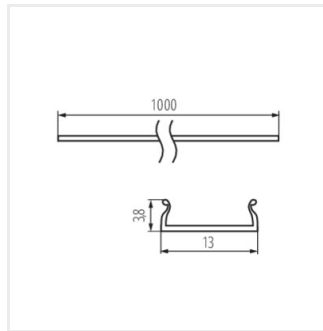
SHAE C/D/E/I-FR 2M



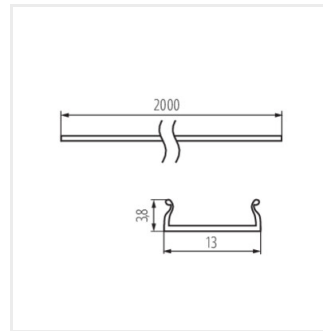
SHAE C/D/E/I-W



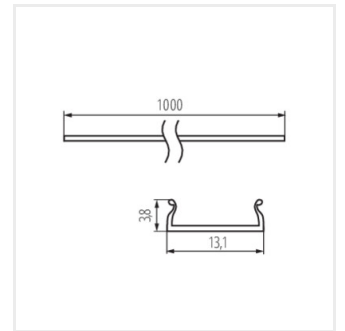
SHAE C/D/E/I-W 2M



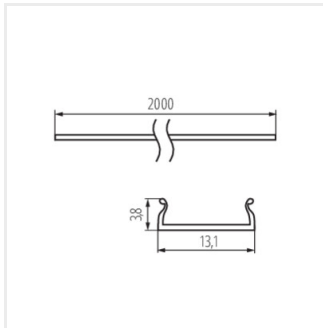
SHAE CK C/D/E/I-FR



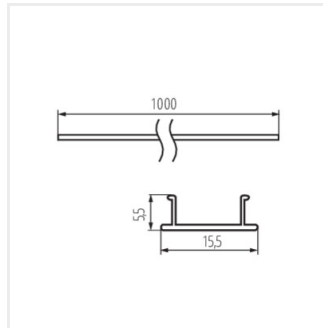
SHAE CK C/D/E/I-FR2M



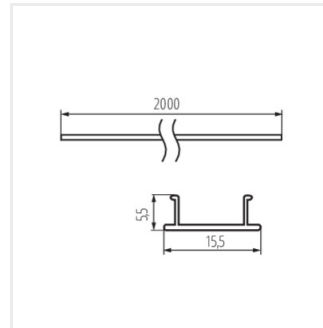
SHAE CK C/D/E/I-W



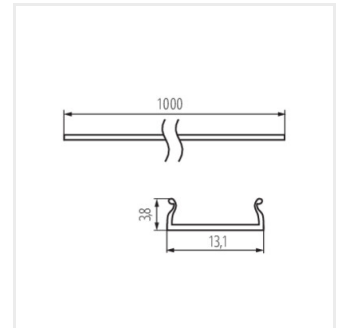
SHAE CK C/D/E/I-W 2M



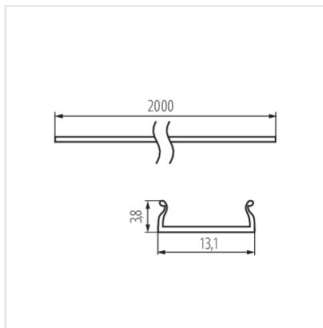
SHAE CK G



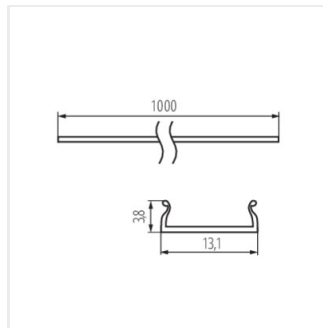
SHAE CK G 2M



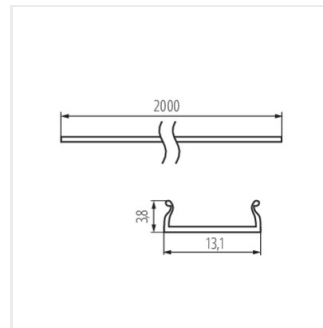
SHAE-U H-FR



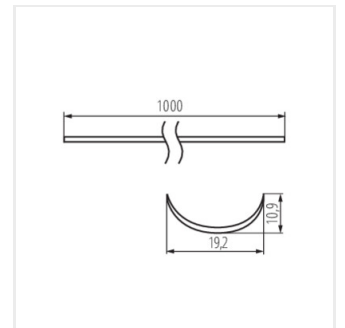
SHAE-U H-FR 2m



SHAE-U H-W



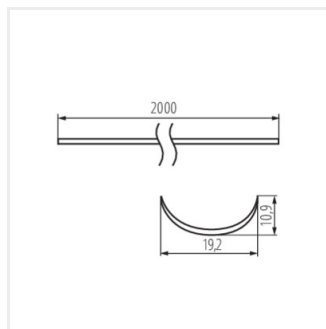
SHAE-U H-W 2m



SHAE-O H-W

SHADE

Difúzor k hliníkovým profilom



SHADE-O H-W 2m