

## AL-LL-PT

Lineárne LED svietidlo



[V] 220-240 AC	[Hz] 50	$\geq 30000$	[lm] 50000	ellipse $\leq 3x$ MacAdam	Ra 80	SMD
		<b>IP</b> 20		[°C] 5÷25		
[mm <sup>2</sup> ] 1,5÷2,5		0,5m				



### AL-LL-NW-MAT-B-PT

	[W]	Tc [K]	TYPE	[°]		[lm]	[mm]	
AL-LL-NW-MAT-B-PT	<b>34128</b>	33	4000	matné	X85/Y95	čierna	4550	1710
AL-LL-NW-MAT-S-PT	<b>34140</b>	33	4000	matné	X85/Y95	strieborná	4550	1710
AL-LL-NW-MAT-W-PT	<b>34116</b>	33	4000	matné	X85/Y95	biela	4550	1710
AL-LL-NW-MPR-B-PT	<b>34132</b>	33	4000	mikroprizmatický	X75/Y90	čierna	4150	1710
AL-LL-NW-MPR-S-PT	<b>34144</b>	33	4000	mikroprizmatický	X75/Y90	strieborná	4150	1710
AL-LL-NW-MPR-W-PT	<b>34120</b>	33	4000	mikroprizmatický	X75/Y90	biela	4150	1710
AL-LL-WW-MAT-B-PT	<b>34130</b>	33	3000	matné	X85/Y95	čierna	4100	1710
AL-LL-WW-MAT-S-PT	<b>34142</b>	33	3000	matné	X85/Y95	strieborná	4100	1710
AL-LL-WW-MAT-W-PT	<b>34118</b>	33	3000	matné	X85/Y95	biela	4100	1710
AL-LL-WW-MPR-B-PT	<b>34134</b>	33	3000	mikroprizmatický	X75/Y90	čierna	3750	1710
AL-LL-WW-MPR-S-PT	<b>34146</b>	33	3000	mikroprizmatický	X75/Y90	strieborná	3750	1710
AL-LL-WW-MPR-W-PT	<b>34122</b>	33	3000	mikroprizmatický	X75/Y90	biela	3750	1710

- 5-ročná záruka podľa podmienok vyhlásenia o záruke, ktoré je dostupné na webovej stránke
- Materiál korpusu: oceľ
- Materiál difúzora: plast

## AL-LL-PT

Lineárne LED svietidlo



AL-LL-NW-MAT-B-PT



AL-LL-NW-MAT-S-PT



AL-LL-NW-MAT-W-PT



AL-LL-NW-MPR-B-PT



AL-LL-NW-MPR-S-PT



AL-LL-NW-MPR-W-PT



AL-LL-WW-MAT-B-PT



AL-LL-WW-MAT-S-PT

## AL-LL-PT

### Lineárne LED svietidlo



AL-LL-WW-MAT-W-PT



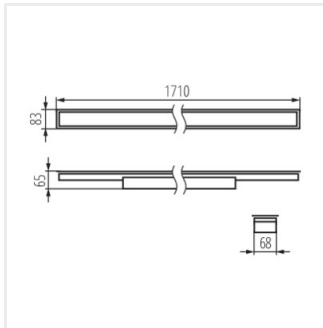
AL-LL-WW-MPR-B-PT



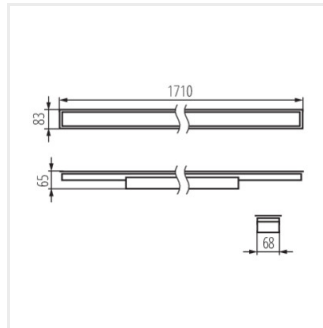
AL-LL-WW-MPR-S-PT



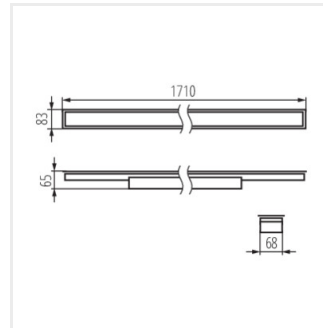
AL-LL-WW-MPR-W-PT



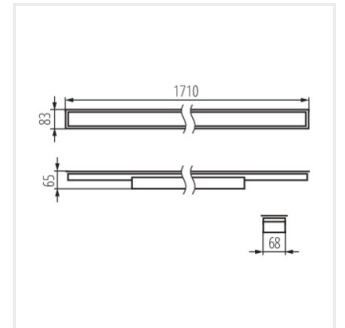
AL-LL-NW-MAT-B-PT



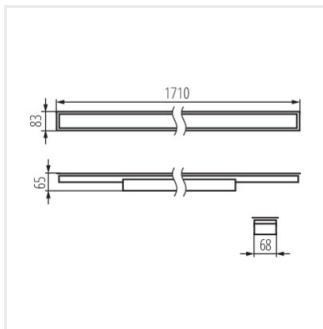
AL-LL-NW-MAT-S-PT



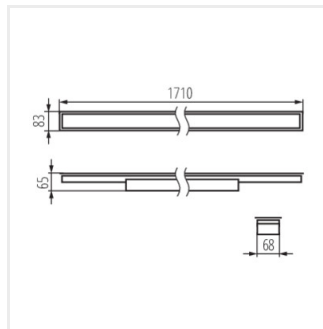
AL-LL-NW-MAT-W-PT



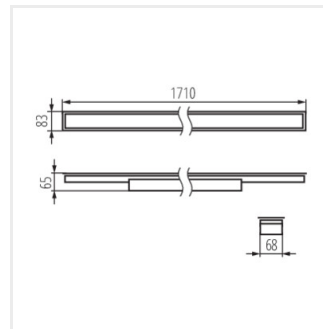
AL-LL-NW-MPR-B-PT



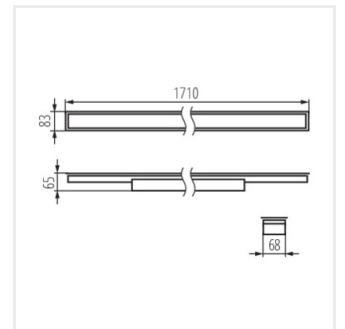
AL-LL-NW-MPR-S-PT



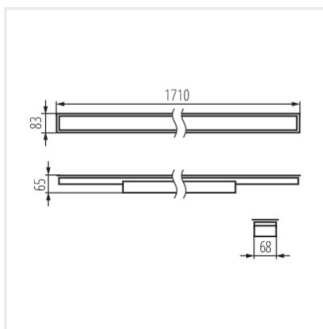
AL-LL-NW-MPR-W-PT



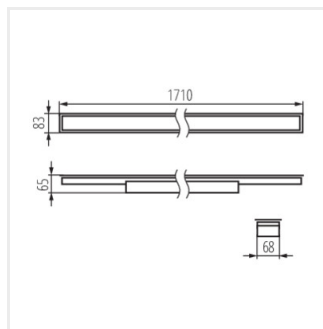
AL-LL-WW-MAT-B-PT



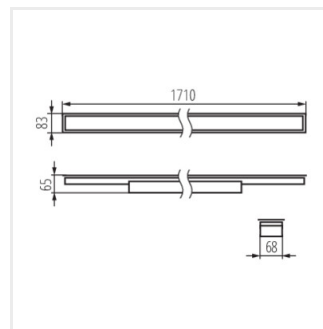
AL-LL-WW-MAT-S-PT



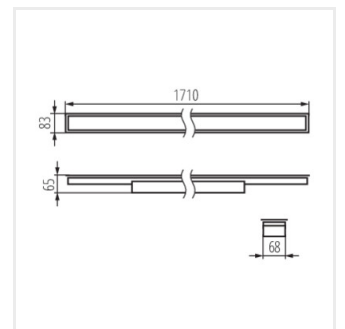
AL-LL-WW-MAT-W-PT



AL-LL-WW-MPR-B-PT



AL-LL-WW-MPR-S-PT



AL-LL-WW-MPR-W-PT