

# KANLUX SMART



IP  
20



Wi-Fi 2,4 GHz



UK  
CA



S SENSOR PIR INT 10M



S SENSOR PIR INT 10M	<b>34940</b>	2 x 3V DC / 5V USB	2 x CR123A
S SENSOR W INT	<b>34941</b>	2 x 1,5 DC	2 x AAA
S SENSOR ON/OFF INT	<b>34942</b>	2 x 1,5 DC	2 x AAA



S SENSOR PIR INT 10M



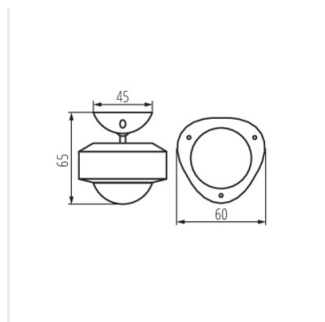
S SENSOR W INT



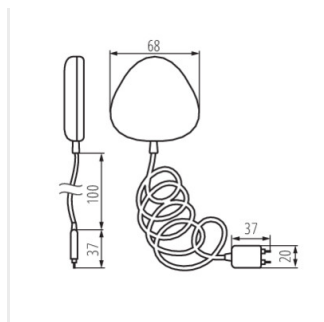
S SENSOR ON/OFF INT

# KANLUX SMART

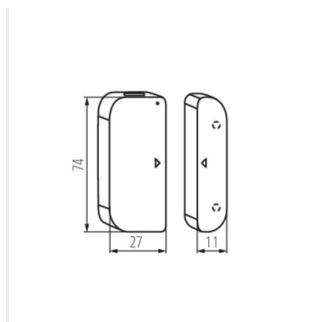
---



S SENSOR PIR INT 10M



S SENSOR W INT



S SENSOR ON/OFF INT