

02162 HLDR-E27-D

Light source fitting

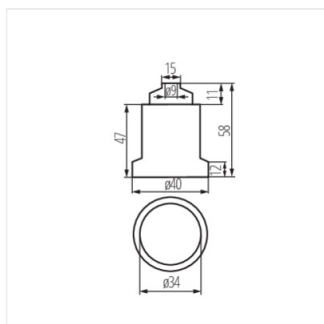


$[V]$ 250 AC	$[Hz]$ 50/60	$I_n[A]$ 4	 E27	IP 00		
-----------------	-----------------	---------------	---------	----------	--	--



HLDR-E27-D **02162** grey

- Maximum permissible holder temperature 180°C



HLDR-E27-D