

TEAR

Акcesуар системи шинопроводів



TEAR PR-90A-WH

| | |
|------------------|--------------|
| TEAR PR-90A-WH | 22581 |
| TEAR PR-90B-WH | 22582 |
| TEAR PR-FLEX-WH | 22584 |
| TEAR PR-I-WH | 22585 |
| TEAR PR-I-B-WH | 22586 |
| TEAR PR-PLUG-WH | 22587 |
| TEAR PR-T-LLR-WH | 22589 |
| TEAR PR-T-RRL-WH | 22590 |
| TEAR PR-X-WH | 22591 |
| TEAR TR 2M-WH | 22593 |



TEAR PR-90A-WH



TEAR PR-90B-WH



TEAR PR-FLEX-WH



TEAR PR-I-WH

TEAR

Акcesуар системи шинопроводів



TEAR PR-I-B-WH



TEAR PR-PLUG-WH



TEAR PR-T-LLR-WH



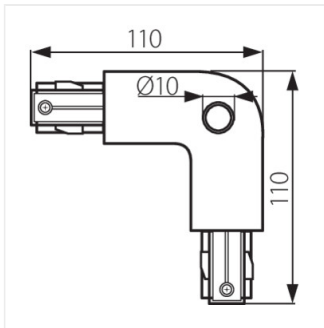
TEAR PR-T-RRL-WH



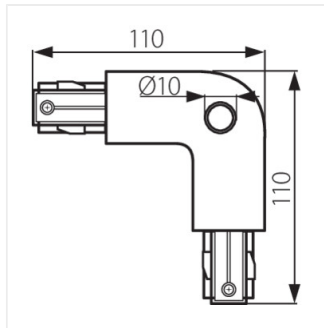
TEAR PR-X-WH



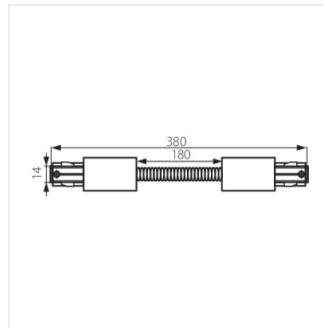
TEAR TR 2M-WH



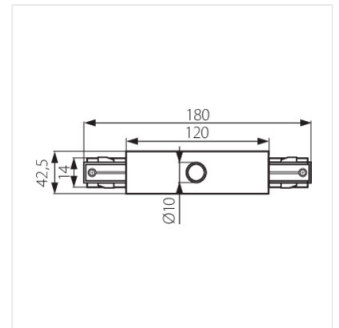
TEAR PR-90A-WH



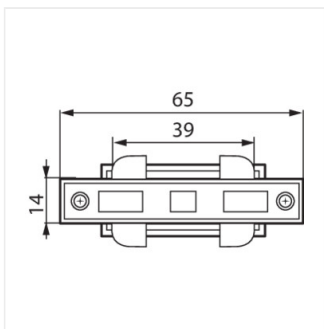
TEAR PR-90B-WH



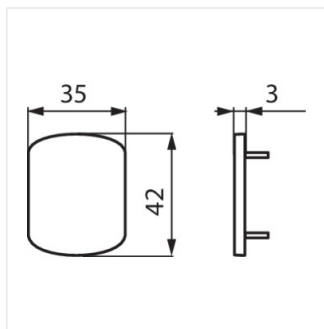
TEAR PR-FLEX-WH



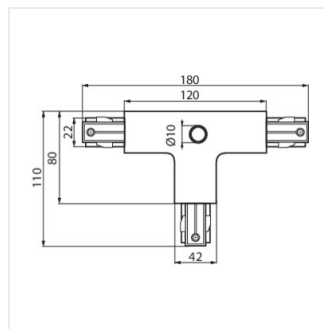
TEAR PR-I-WH



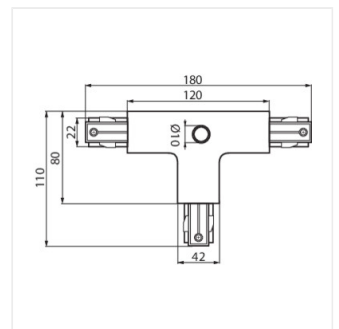
TEAR PR-I-B-WH



TEAR PR-PLUG-WH



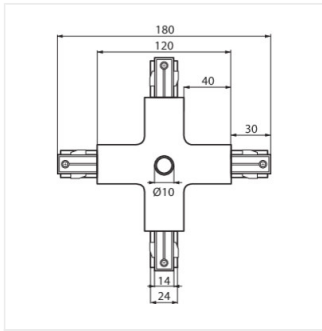
TEAR PR-T-LLR-WH



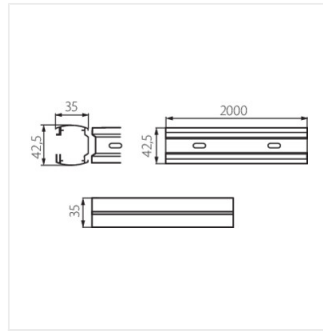
TEAR PR-T-RRL-WH

TEAR

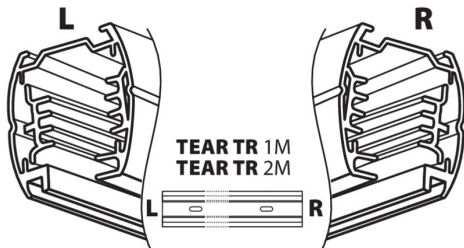
Акcesуар системи шинопроводів



TEAR PR-X-WH

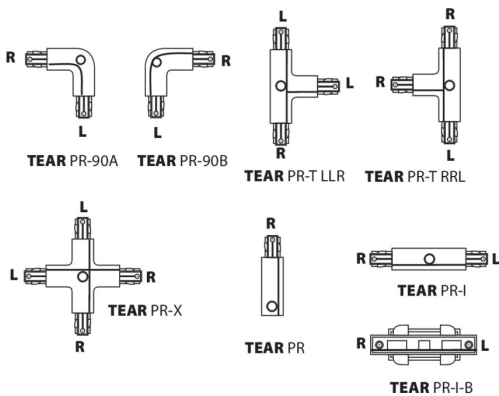
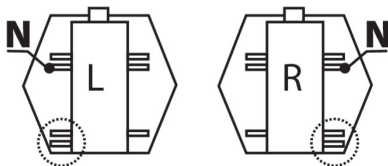


TEAR TR 2M-WH



TEAR TR 1M
TEAR TR 2M

N —



TEAR

Акcesуар системи шинопроводів

