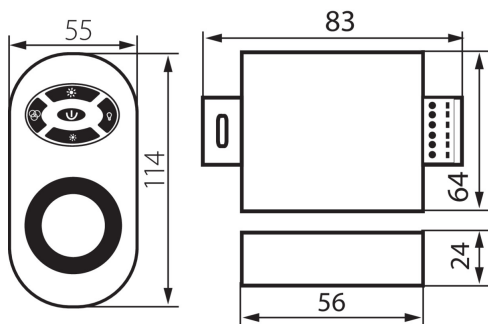


22140 CONTROLLER LED RGB-RF

Controller for LED tapes

5905339221407



Set for controlling LED strips (remote control and controller).
Works with single-color and multicolor (RGB) led strips.

GENERAL DATA:

Colour: white

Control: radiowe

F symbol - normally flammable surface: yes

Number of programmes: 21

TECHNICAL DATA:

Rated voltage [V]: 12 DC

Rated current [A]: max 15

Class of protection against electric shock: III

Material: plastic

Connection type: Terminal block

Transmitter batteries: 3 x AAA

IP class: 20

Range [m]: max 25

LOGISTIC DATA:

Packaging method: 60

Number of units in the secondary packaging: 1

Number of units in the packaging: 60

Net unit weight [g]: 132

Grammage [g]: 178.33

Length of a unit pack [cm]: 13

Width of a unit pack [cm]: 7

Height of a unit pack [cm]: 6

Weight of a cardboard box [kg]: 10.6998

Width of a cardboard box [cm]: 27

Height of a cardboard box [cm]: 30

Length of a cardboard box [cm]: 45.5

Volume of a cardboard box [m³]: 0.036855

22140 CONTROLLER LED RGB-RF

Controller for LED tapes

