

22589 TEAR PR-T-LLR-WH

Accessory for electrical supply track systems

5905339225894



GENERAL DATA:

Colour: white

Place of assembly: rail TEAR

Place of application: Indoors

TECHNICAL DATA:

Rated voltage [V]: 220-240 AC

Rated current [A]: 16

Rated frequency [Hz]: 50

Class of protection against electric shock: I

Ambient temperature range to which the product can be exposed: 5÷25

Enclosure material: plastic

IP class: 20

LOGISTIC DATA:

Packaging method: 25

Number of units in the secondary packaging: 1

Number of units in the packaging: 25

Net unit weight [g]: 204

Grammage [g]: 233.2

Length of a unit pack [cm]: 18

Width of a unit pack [cm]: 11

Height of a unit pack [cm]: 3.5

Weight of a cardboard box [kg]: 5.83

Width of a cardboard box [cm]: 25

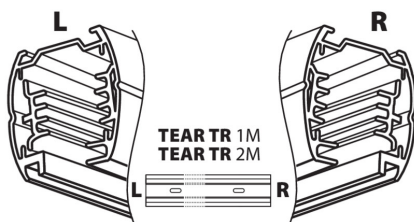
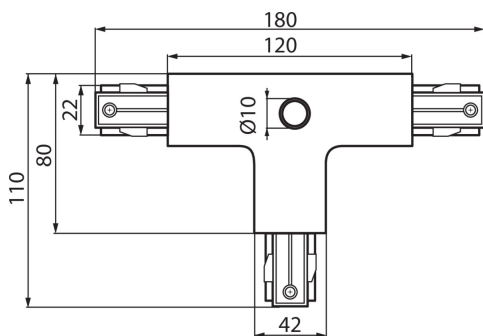
Height of a cardboard box [cm]: 28

Length of a cardboard box [cm]: 37

Volume of a cardboard box [m³]: 0.0259

ADDITIONAL INFORMATION:

- TEAR PR-T: designed for connecting three busbar sections into a T shape



22589 TEAR PR-T-LLR-WH

Accessory for electrical supply track systems

