

22841 HIMA LED 23W-NW-W

Downlight fitting

5905339228413



Kanlux HIMA LED downlights are luminaires with high luminous efficiency (over 110 lm/W). The possibility of adjusting the luminaires in two axes and high colour rendering index make the luminaires ideal for places where it is important to expose specific zones and colours - boutiques, sales stands or large-format stores. Kanlux HIMA LED is a high power luminaire, so it will provide the right amount of light even in high rooms. The reliability of these lamps is confirmed by a 5-year warranty.

GENERAL DATA:

Colour: white

Place of assembly: Recessed mount in the ceiling

Place of application: Indoors

Minimum distance from the illuminated object: 0,5m

Compatible with a dimmer: no

Height [mm]: 150

Diameter [mm]: 190

Assembly hole [mm]: 175

Integrated LED light source: yes

TECHNICAL DATA:

Rated voltage [V]: 220-240 AC

Rated frequency [Hz]: 50

Maximum power [W]: 23

Class of protection against electric shock: II

Lampshade material: glass

Diode type: LED COB

Luminous flux [lm]: 2510

Correlated colour temperature [K]: 4000

Colour consistency in McAdam ellipses: ≤ 6

Colour rendering index: 90

Service life [h]: 30000

Number of on/off cycles: ≥ 15000

Lighting angle [°]: 45

Luminous efficiency of the lamp [lm/W]: 109

Ambient temperature range to which the product can be exposed: 5÷25

Enclosure material: aluminum alloy

Connection type: Terminal block

Range of sections of wires used [mm²]: 0,5-0,75

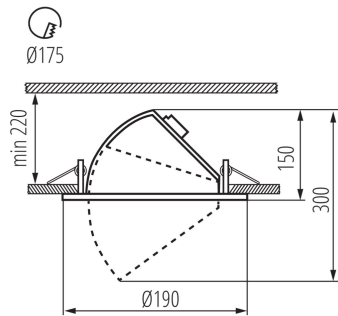
Lamp-heating time [s]: ≤ 1

Lamp-ignition time [s]: $\leq 0,5$

The fixture is movable horizontally [°]: 350

22841 HIMA LED 23W-NW-W

Downlight fitting



Lighting-fixture angle regulation: in one axis

Lighting-fixture angle regulation [°]: 45

IP class: 20

LOGISTIC DATA:

Packaging method: 12

Number of units in the secondary packaging: 1

Number of units in the packaging: 12

Net unit weight [g]: 988

Grammage [g]: 1234.17

Length of a unit pack [cm]: 20

Width of a unit pack [cm]: 20

Height of a unit pack [cm]: 17

Weight of a cardboard box [kg]: 14.81004

Width of a cardboard box [cm]: 41

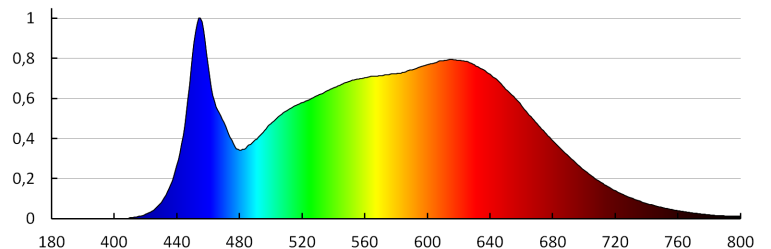
Height of a cardboard box [cm]: 36.5

Length of a cardboard box [cm]: 60.5

Volume of a cardboard box [m³]: 0.090538

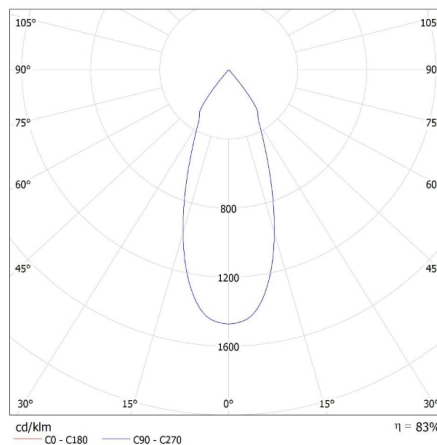
ADDITIONAL INFORMATION:

- 5 years Warranty under the terms of the warranty statement, available on our website



KANLUX S.A. (kat 22841) HIMA LED 23W-NW-W / LDC (Polar)

Luminaire: KANLUX S.A. (kat 22841) HIMA LED 23W-NW-W
Lamps: 1 x HIMA LED 23W-NW-W



22841 HIMA LED 23W-NW-W

Downlight fitting

KANLUX S.A. (kat 22841+22845) HIMA LED 23W-NW-W + REF...S60 / LDC (Polar)

Luminaire: KANLUX S.A. (kat 22841+22845) HIMA LED 23W-NW-W + REF...S60
Lamps: 1 x HIMA LED 23W-NW

