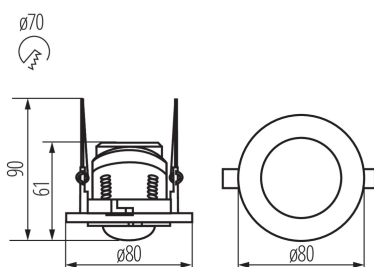


23451 MERGE ADJ-O

PIR motion sensor

5905339234513



Kanlux MERGE ADJ is a PIR motion detector with maximum motion detection range of 5m. Its maximum horizontal angle of work comes to 360 degrees. In the MERGE ADJ sensor, you can adjust settings of parameters without a necessity to disassemble the detector.

GENERAL DATA:

Colour: white

Place of assembly: Recessed mount in the ceiling

Place of application: Indoors

Micro-interval between relay contacts: yes

Height [mm]: 90

Diameter [mm]: 80

TECHNICAL DATA:

Rated voltage [V]: 220-240 AC

Rated frequency [Hz]: 50

Class of protection against electric shock: II

Material: plastic

Ambient temperature range to which the product can be exposed: 5÷25

Sensor type: PIR

Connection type: Terminal block

Range of sections of wires used [mm²]: 0,75÷1,5

Sensor-operation time [second-minute]: 10-15

sensor working angle [°]: H360/V120

Maximum operating time [min]: 15

Minimum operating time[s]: 10

Maximum power [VA]: 800

Illumination-level setpoint by which the sensor detects movement [lx]: 3-2000

IP class: 20

Sensor range[m]: max 5

LOGISTIC DATA:

Packaging method: 50

Number of units in the secondary packaging: 1

Number of units in the packaging: 50

Net unit weight [g]: 94

Grammage [g]: 140.4

Length of a unit pack [cm]: 10

Width of a unit pack [cm]: 7.5

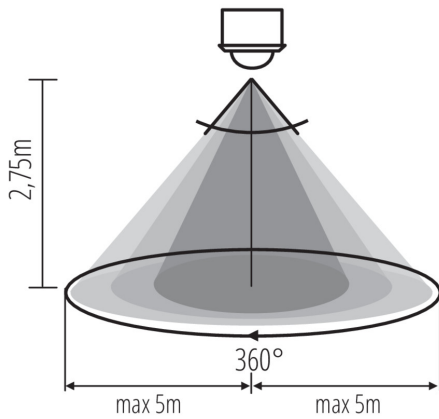
Height of a unit pack [cm]: 8

Weight of a cardboard box [kg]: 7.02

Width of a cardboard box [cm]: 38.5

23451 MERGE ADJ-O

PIR motion sensor



Height of a cardboard box [cm]: 19.5

Length of a cardboard box [cm] : 52

Volume of a cardboard box [m³]: 0.039039

ADDITIONAL INFORMATION:

- Maximum movement detection up to 5m
- Maximum horizontal angle of operation of the motion sensor - 360°
- Light on time adjustable from 10s to 15min
- Capability to set the light intensity of the environment in which the device works
- Motion detection 0.6...1.5m/s
- Maximum vertical angle of operation of the motion sensor 120°