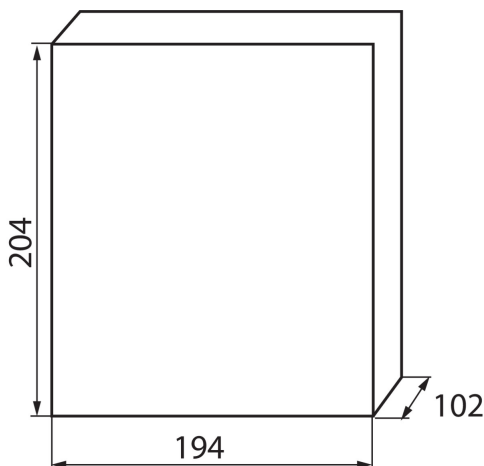


## 23610 KDB-S06T

KDB-series distribution board

5905339236104



KDB series switchboards meeting the requirement for heat resistance at the temperature of 650°C, can be used on non-flammable surfaces only (e.g. full solid walls made of non-combustible materials). They cannot be used on flammable surfaces (e.g. plasterboard, wood boards, etc.), on the so-called "hollow walls" or on technical sections

### GENERAL DATA:

**Colour:** white / blue  
**Door colour:** blue  
**Place of assembly:** wall mounted  
**Norm:** PN-EN 62208  
**Length [mm]:** 194  
**Width [mm]:** 102  
**Height [mm]:** 204

### TECHNICAL DATA:

**Rated voltage [V]:** 230/400 AC  
**Rated current [A]:** 63  
**Rated frequency [Hz]:** 50  
**Class of protection against electric shock:** II  
**Material:** plastic  
**Number of modules:** 6P  
**Temperature resistance [°C]:** 650  
**IK class:** 07  
**IP class:** 30  
**number of rows:** 1

### LOGISTIC DATA:

**Packaging method:** 20  
**Number of units in the secondary packaging:** 1  
**Number of units in the packaging:** 20  
**Net unit weight [g]:** 522  
**Grammage [g]:** 712  
**Length of a unit pack [cm]:** 21  
**Width of a unit pack [cm]:** 10.5  
**Height of a unit pack [cm]:** 20  
**Weight of a cardboard box [kg]:** 14.24  
**Width of a cardboard box [cm]:** 45  
**Height of a cardboard box [cm]:** 43  
**Length of a cardboard box [cm]:** 55  
**Volume of a cardboard box [m<sup>3</sup>]:** 0.106425

## **23610** KDB-S06T

---

KDB-series distribution board