

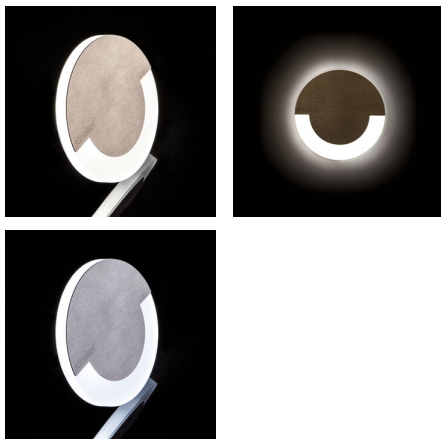
## 23804 SOLA LED AC-WW

Staircase LED light fitting

5905339238047



SOLA LED AC



Kanlux SOLA means modern design combined with an attractive effect of lighting. It is a perfect idea to highlight stairs and corridors or to emphasize decor of rooms. The unique structure of the holders ensures even emission of light. The AC version is equipped with 230V power supply unit which fits into a box.

### GENERAL DATA:

**To be built into the wall** : yes

**Colour**: stainless steel

**Place of assembly**: Recessed mount in the wall

**Place of application**: Indoors

**Minimum distance from the illuminated object** : 0,1m

**Compatible with a dimmer**: no

**Feeder included**: yes

**Width [mm]**: 23

**Diameter [mm]**: 70

**Required diameter of the assembly box [Ømm]**: 60

**Assembly-hole dimensions [mm]**: 60

**Integrated LED light source** : yes

### TECHNICAL DATA:

**Rated voltage [V]**: 220-240 AC

**Rated frequency [Hz]**: 50

**Maximum power [W]**: 1.3

**Class of protection against electric shock** : II

**Diode type**: LED SMD

**Luminous flux [lm]**: 13

**Colour temperature**: Warm white

**Correlated colour temperature [K]**: 3000

**Colour consistency in McAdam ellipses** : ≤6

**Colour rendering index**: 80

**Service life [h]**: 50000

**Number of on/off cycles**: ≥20000

**Luminous efficiency of the lamp [lm/W]**: 10

**Ambient temperature range to which the product can be exposed**: 5÷25

**Enclosure material**: polished stainless steel, plastic

**Connection type**: Free cable ends

**Wire length [m]**: 0.18

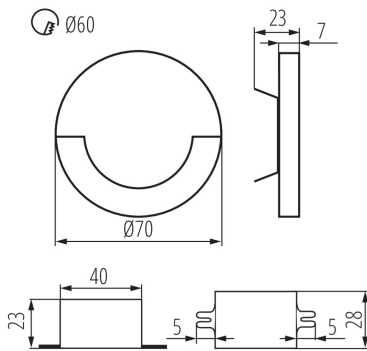
**Lamp-heating time [s]**: ≤1

**Lamp-ignition time [s]**: ≤0,5

**IP class**: 20

## 23804 SOLA LED AC-WW

Staircase LED light fitting



### LOGISTIC DATA:

Unit of measurement: unit

Packaging method: 100

Number of units in the secondary packaging : 1

Number of units in the packaging : 100

Net unit weight [g] : 110

Grammage [g] : 114.9

Length of a unit pack [cm] : 11

Width of a unit pack [cm] : 2.5

Height of a unit pack [cm] : 16.5

Weight of a cardboard box [kg] : 11.49

Width of a cardboard box [cm] : 23.5

Height of a cardboard box [cm] : 34.5

Length of a cardboard box [cm] : 63

Volume of a cardboard box [m<sup>3</sup>] : 0.051077

### ADDITIONAL INFORMATION:

- the fitting is suitable for mounting in Ø 60 junction boxes.
- fitting delivered with a power supply unit fit for Ø 60 junction box, enabling powering from grids with voltage of 220-240 V

