

23846 TRIBIS II O AB

A set of recessed downlights with a light source (included)

5905339238467



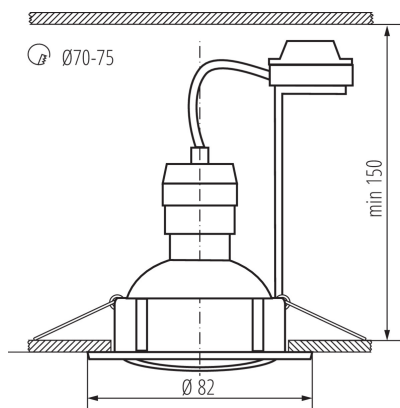
Kanlux TRIBIS II is a complete set of 3 spots, which consists of: decorative rings, light sources and ceramic lamp holders with a bracket. We can choose between two shapes (square and round) and several color variants. Kanlux TRIBIS II spots can be angularly adjusted by 50°, so we can direct them in the desired direction. Kanlux TRIBIS II spotlights designed to be recessed into the ceiling, are perfect as main or additional lighting. You can put them in a group or split them among several places.

GENERAL DATA:

Colour: patinated brass
Necessity of using self-shielding lamps: yes
Place of assembly: Recessed mount in the ceiling
Place of application: Indoors
Minimum distance from the illuminated object: 0,5m
Replaceable light source: yes
The product is not suitable to be covered with a heat-insulating material: yes
Height [mm]: 22
Diameter [mm]: 82
Assembly hole [mm]: Ø70-75

TECHNICAL DATA:

Rated voltage [V]: 220-240 AC
Rated frequency [Hz]: 50
Maximum power [W]: 3 x max 10
Class of protection against electric shock: II
Light source: PAR16 LED
Light source included: yes
Diode type: LED SMD
Useful luminous flux of the light source Φ_{use} [lm]: 400
Useful luminous flux of the light source Φ_{use} [lm]: in wide cone (120°)
Colour temperature: Warm white
Correlated colour temperature [K]: 3000
Colour consistency in McAdam ellipses: ≤ 6
Colour rendering index: 80
Cap: GU10
Rated lamp-service life [h]: 25000
Number of on/off cycles: ≥ 15000
Ambient temperature range to which the product can be exposed: 5÷25
Enclosure material: steel
Connection type: Bolt terminal block



A set of recessed downlights with a light source (included)

Range of sections of wires used [mm²]: 0,75÷2,5

Lighting-fixture angle regulation: in one axis

Lighting-fixture angle regulation [°]: 50

IP class: 20

Included light sources with the following energy classes:

F

LOGISTIC DATA:

Packaging method: 20

Number of units in the secondary packaging: 1

Number of units in the packaging: 20

Net unit weight [g]: 404

Grammage [g]: 519.5

Length of a unit pack [cm]: 11

Width of a unit pack [cm]: 6.5

Height of a unit pack [cm]: 24

Weight of a cardboard box [kg]: 10.39

Width of a cardboard box [cm]: 25

Height of a cardboard box [cm]: 47.5

Length of a cardboard box [cm] : 35

Volume of a cardboard box [m³]: 0.041563