

## 23854 TRIBIS II O W

A set of recessed downlights with a light source (included)

5905339238542



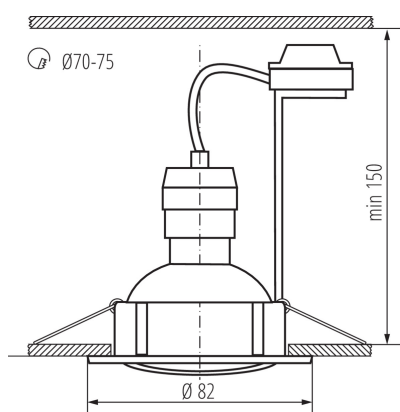
Kanlux TRIBIS II is a complete set of 3 spots, which consists of: decorative rings, light sources and ceramic lamp holders with a bracket. We can choose between two shapes (square and round) and several color variants. Kanlux TRIBIS II spots can be angularly adjusted by 50°, so we can direct them in the desired direction. Kanlux TRIBIS II spotlights designed to be recessed into the ceiling, are perfect as main or additional lighting. You can put them in a group or split them among several places.

### GENERAL DATA:

**Colour:** white  
**Necessity of using self-shielding lamps:** yes  
**Place of assembly:** Recessed mount in the ceiling  
**Place of application:** Indoors  
**Minimum distance from the illuminated object:** 0,5m  
**Replaceable light source:** yes  
**The product is not suitable to be covered with a heat-insulating material:** yes  
**Height [mm]:** 22  
**Diameter [mm]:** 82  
**Assembly hole [mm]:** Ø70-75

### TECHNICAL DATA:

**Rated voltage [V]:** 220-240 AC  
**Rated frequency [Hz]:** 50  
**Maximum power [W]:** 3 x max 10  
**Class of protection against electric shock:** II  
**Light source:** PAR16 LED  
**Light source included:** yes  
**Diode type:** LED SMD  
**Useful luminous flux of the light source  $\Phi_{use}$  [lm]:** 400  
**Useful luminous flux of the light source  $\Phi_{use}$  [lm]:** in wide cone (120°)  
**Colour temperature:** Warm white  
**Correlated colour temperature [K]:** 3000  
**Colour consistency in McAdam ellipses:**  $\leq 6$   
**Colour rendering index:** 80  
**Cap:** GU10  
**Rated lamp-service life [h]:** 25000  
**Number of on/off cycles:**  $\geq 15000$   
**Ambient temperature range to which the product can be exposed:** 5÷25  
**Enclosure material:** steel  
**Connection type:** Bolt terminal block



A set of recessed downlights with a light source (included)

**Range of sections of wires used [mm<sup>2</sup>]:** 0,75÷2,5

**Lighting-fixture angle regulation:** in one axis

**Lighting-fixture angle regulation [°]:** 50

**IP class:** 20

**Included light sources with the following energy classes:**

F

### LOGISTIC DATA:

**Packaging method:** 20

**Number of units in the secondary packaging:** 1

**Number of units in the packaging:** 20

**Net unit weight [g]:** 404

**Grammage [g]:** 519.5

**Length of a unit pack [cm]:** 11

**Width of a unit pack [cm]:** 6.5

**Height of a unit pack [cm]:** 24

**Weight of a cardboard box [kg]:** 10.39

**Width of a cardboard box [cm]:** 25

**Height of a cardboard box [cm]:** 47.5

**Length of a cardboard box [cm] :** 35

**Volume of a cardboard box [m<sup>3</sup>]:** 0.041563