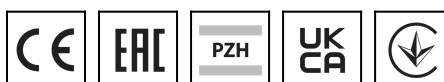
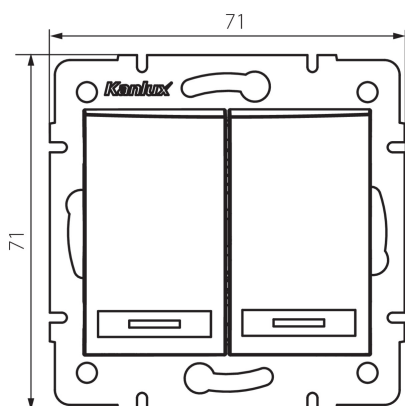


## 24830 DOMO 01-1010-243 sr

Double One Way Switch

5905339248305



### GENERAL DATA:

**Colour:** silver

**Place of assembly:** Recessed mount in the wall

**Highlighting:** Not applicable

**Width [mm]:** 71

**Height [mm]:** 71

**Diameter of an installation box:** 60

**Installation depth:** 25

### TECHNICAL DATA:

**Rated voltage [V]:** 250 AC

**Material:** PC

**Material of contacts:** CuSn94

**Terminal type:** Quick-fit coupling

**Plastic:** PC

**Number of levers:** 2

**Rated current [AX]:** 10

**IP class:** 20

### LOGISTIC DATA:

**Packaging method:** 10

**Number of units in the secondary packaging:** 10

**Number of units in the packaging:** 120

**Net unit weight [g]:** 78

**Grammage [g]:** 91.75

**Length of a unit pack [cm]:** 10

**Width of a unit pack [cm]:** 4

**Height of a unit pack [cm]:** 14

**Weight of a cardboard box [kg]:** 11.01

**Width of a cardboard box [cm]:** 25.5

**Height of a cardboard box [cm]:** 32

**Length of a cardboard box [cm]:** 44

**Volume of a cardboard box [m<sup>3</sup>]:** 0.035904

**24830** DOMO 01-1010-243 sr

---

Double One Way Switch