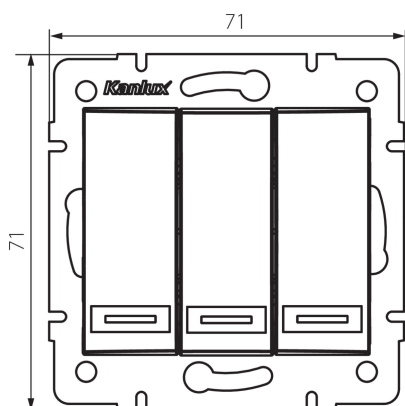


24840 DOMO 01-1090-243 sr

Triple switch

5905339248404



GENERAL DATA:

Colour: silver

Place of assembly: Recessed mount in the wall

Highlighting: Not applicable

Width [mm]: 71

Height [mm]: 71

Diameter of an installation box: 60

Installation depth: 25

TECHNICAL DATA:

Rated voltage [V]: 250 AC

Material: PC

Material of contacts: CuSn94

Terminal type: Quick-fit coupling

Plastic: PC

Number of levers: 3

Rated current [AX]: 10

IP class: 20

LOGISTIC DATA:

Packaging method: 10

Number of units in the secondary packaging: 10

Number of units in the packaging: 120

Net unit weight [g]: 80

Grammage [g]: 93.83

Length of a unit pack [cm]: 9

Width of a unit pack [cm]: 5

Height of a unit pack [cm]: 14

Weight of a cardboard box [kg]: 11.2596

Width of a cardboard box [cm]: 25.5

Height of a cardboard box [cm]: 32

Length of a cardboard box [cm]: 44

Volume of a cardboard box [m³]: 0.035904

24840 DOMO 01-1090-243 sr

Triple switch