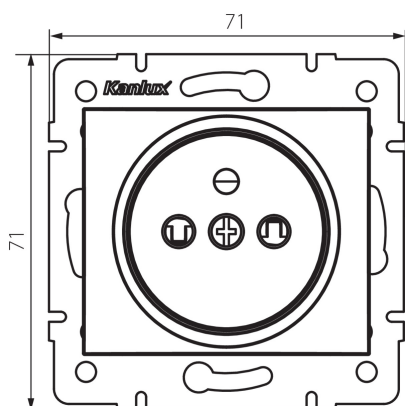


## 24853 DOMO 01-1250-143 sr

Type E single power socket with contact protection

5905339248534



### GENERAL DATA:

**Colour:** silver  
**Place of assembly:** Recessed mount in the wall  
**Contact protection:** yes  
**Width [mm]:** 71  
**Height [mm]:** 71  
**Diameter of an installation box:** 60  
**Installation depth:** 25  
**Number of sockets:** 1

### TECHNICAL DATA:

**Rated voltage [V]:** 250 AC  
**Rated current [A]:** 16  
**Class of protection against electric shock:** I  
**Material:** PC  
**Material of contacts:** CuSn94  
**Earthing type:** Type E  
**Terminal type:** Screw terminal  
**Plastic:** PC  
**IP class:** 20

### LOGISTIC DATA:

**Packaging method:** 10  
**Number of units in the secondary packaging:** 10  
**Number of units in the packaging:** 120  
**Net unit weight [g]:** 70  
**Grammage [g]:** 83.75  
**Length of a unit pack [cm]:** 10  
**Width of a unit pack [cm]:** 5  
**Height of a unit pack [cm]:** 14  
**Weight of a cardboard box [kg]:** 10.05  
**Width of a cardboard box [cm]:** 25.5  
**Height of a cardboard box [cm]:** 32  
**Length of a cardboard box [cm]:** 44  
**Volume of a cardboard box [m<sup>3</sup>]:** 0.035904

## **24853** DOMO 01-1250-143 sr

---

Type E single power socket with contact protection