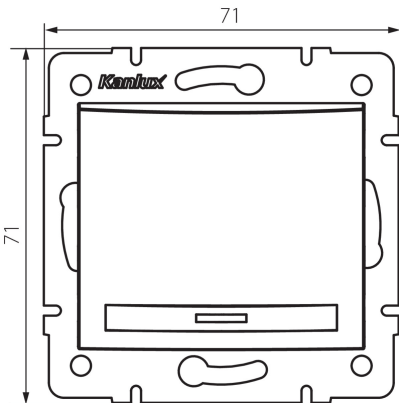


24901 DOMO 01-1110-241 gr

Single-pole LED switch

5905339249012



GENERAL DATA:

Colour: graphite

Place of assembly: Recessed mount in the wall

Highlighting: yes

Width [mm]: 71

Height [mm]: 71

Diameter of an installation box : 60

Installation depth: 25

TECHNICAL DATA:

Rated voltage [V]: 250 AC

Material: PC

Material of contacts: CuSn94

Terminal type: Quick-fit coupling

Plastic: PC

Number of levers: 1

Rated current [AX]: 10

IP class: 20

LOGISTIC DATA:

Packaging method: 10

Number of units in the secondary packaging : 10

Number of units in the packaging : 120

Net unit weight [g]: 78

Grammage [g]: 91.75

Length of a unit pack [cm]: 10

Width of a unit pack [cm]: 4

Height of a unit pack [cm]: 14

Weight of a cardboard box [kg]: 11.01

Width of a cardboard box [cm]: 25.5

Height of a cardboard box [cm]: 32

Length of a cardboard box [cm] : 44

Volume of a cardboard box [m³]: 0.035904

ADDITIONAL INFORMATION:

•

Date of issue: 29.12.2022, 09:15

We reserve the right to make technical changes. The data contained in this material are not legally binding.

Photometry: the results obtained from testing were from a specific sample.

24901 DOMO 01-1110-241 gr

Single-pole LED switch