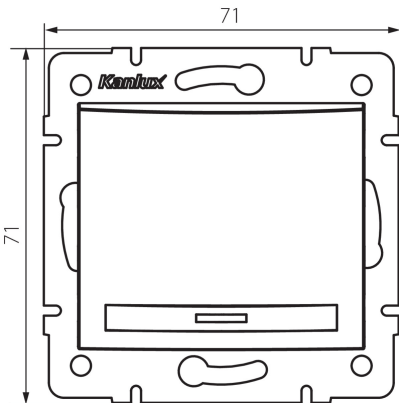


## 25019 DOMO 01-1110-250 sz

Single-pole LED switch

5905339250193



### GENERAL DATA:

**Colour:** champagne  
**Place of assembly:** Recessed mount in the wall  
**Highlighting:** yes  
**Width [mm]:** 71  
**Height [mm]:** 71  
**Diameter of an installation box :** 60  
**Installation depth:** 25

### TECHNICAL DATA:

**Rated voltage [V]:** 250 AC  
**Material:** PC  
**Material of contacts:** CuSn94  
**Terminal type:** Quick-fit coupling  
**Plastic:** PC  
**Number of levers :** 1  
**Rated current [AX] :** 10  
**IP class:** 20

### LOGISTIC DATA:

**Packaging method:** 10  
**Number of units in the secondary packaging :** 10  
**Number of units in the packaging :** 120  
**Net unit weight [g] :** 78  
**Grammage [g] :** 91.75  
**Length of a unit pack [cm] :** 10  
**Width of a unit pack [cm] :** 4  
**Height of a unit pack [cm] :** 14  
**Weight of a cardboard box [kg] :** 11.01  
**Width of a cardboard box [cm] :** 25.5  
**Height of a cardboard box [cm] :** 32  
**Length of a cardboard box [cm] :** 44  
**Volume of a cardboard box [m³] :** 0.035904

### ADDITIONAL INFORMATION:

•

Date of issue: 29.12.2022, 09:18

We reserve the right to make technical changes. The data contained in this material are not legally binding.

Photometry: the results obtained from testing were from a specific sample.

## **25019** DOMO 01-1110-250 sz

---

Single-pole LED switch