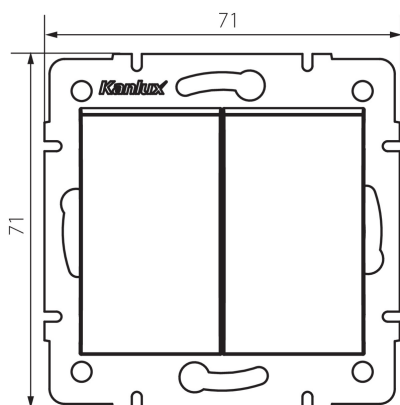


25073 LOGI 02-1060-102 bi

Double staircase switch

5905339250735



A double-pole double-throw switch is used to control circuits of two lamps or two groups of lamps from two different places.

GENERAL DATA:

Colour: white
Place of assembly: Recessed mount in the wall
Highlighting: no
Width [mm]: 71
Height [mm]: 71
Diameter of an installation box: 60
Installation depth: 25

TECHNICAL DATA:

Rated voltage [V]: 250 AC
Material of contacts: CuZn70
Terminal type: Screw terminal
Plastic: ABS
Number of levers: 2
Rated current [AX]: 10
IP class: 20

LOGISTIC DATA:

Packaging method: 10
Number of units in the secondary packaging: 10
Number of units in the packaging: 120
Net unit weight [g]: 78
Grammage [g]: 90.25
Length of a unit pack [cm]: 10
Width of a unit pack [cm]: 5
Height of a unit pack [cm]: 14
Weight of a cardboard box [kg]: 10.83
Width of a cardboard box [cm]: 25.5
Height of a cardboard box [cm]: 32
Length of a cardboard box [cm]: 44
Volume of a cardboard box [m³]: 0.035904

25073 LOGI 02-1060-102 bi

Double staircase switch