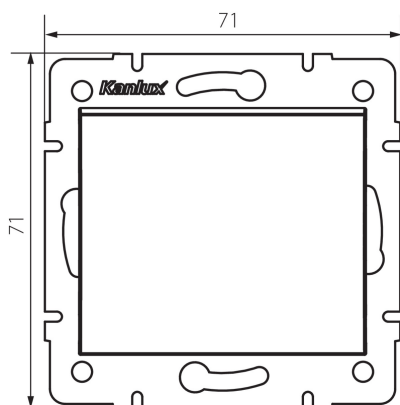


25132 LOGI 02-1050-103 kr

Staircase switch

5905339251329



A single-pole double-throw switch is used to control the circuit of a lamp or a group of lamps from two different places.

GENERAL DATA:

Colour: Ecrú
Place of assembly: Recessed mount in the wall
Highlighting: no
Width [mm]: 71
Height [mm]: 71
Diameter of an installation box: 60
Installation depth: 25

TECHNICAL DATA:

Rated voltage [V]: 250 AC
Material of contacts: CuZn70
Terminal type: Screw terminal
Plastic: ABS
Number of levers: 1
Rated current [AX]: 10
IP class: 20

LOGISTIC DATA:

Packaging method: 10
Number of units in the secondary packaging: 10
Number of units in the packaging: 120
Net unit weight [g]: 70
Grammage [g]: 82.58
Length of a unit pack [cm]: 10
Width of a unit pack [cm]: 4
Height of a unit pack [cm]: 14
Weight of a cardboard box [kg]: 9.9096
Width of a cardboard box [cm]: 25.5
Height of a cardboard box [cm]: 32
Length of a cardboard box [cm]: 44
Volume of a cardboard box [m³]: 0.035904

25132 LOGI 02-1050-103 kr

Staircase switch