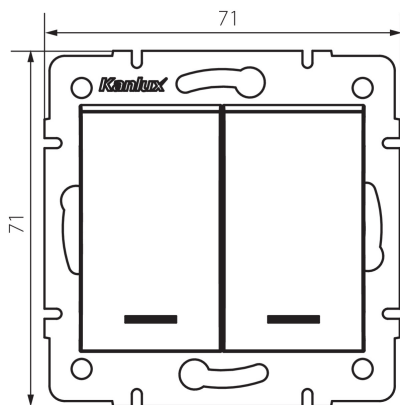


25139 LOGI 02-1120-103 kr

Double One Way Switch - Illuminated

5905339251398



A two-gang light switch with LEDs is used to control circuits of two lamps or two groups of lamps from one place. The switch has LED backlight.

GENERAL DATA:

Colour: Ecrú
Place of assembly: Recessed mount in the wall
Highlighting: yes
Width [mm]: 71
Height [mm]: 71
Diameter of an installation box: 60
Installation depth: 25

TECHNICAL DATA:

Rated voltage [V]: 250 AC
Material of contacts: CuZn70
Terminal type: Screw terminal
Plastic: ABS
Number of levers: 2
Rated current [AX]: 10
IP class: 20

LOGISTIC DATA:

Packaging method: 10
Number of units in the secondary packaging: 10
Number of units in the packaging: 120
Net unit weight [g]: 76
Grammage [g]: 88.58
Length of a unit pack [cm]: 70
Width of a unit pack [cm]: 4
Height of a unit pack [cm]: 14
Weight of a cardboard box [kg]: 10.6296
Width of a cardboard box [cm]: 25.5
Height of a cardboard box [cm]: 32
Length of a cardboard box [cm]: 44
Volume of a cardboard box [m³]: 0.035904

Date of issue: 15.11.2022, 22:01

We reserve the right to make technical changes. The data contained in this material are not legally binding.

Photometry: the results obtained from testing were from a specific sample.

25139 LOGI 02-1120-103 kr

Double One Way Switch - Illuminated