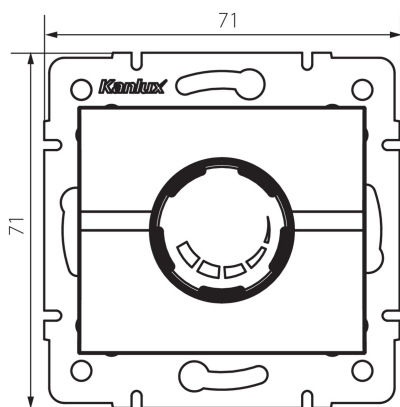


## 25142 LOGI 02-1160-103 kr

Rotary dimmer 500 W with filter

5905339251428



### GENERAL DATA:

**Colour:** Ecrú

**Place of assembly:** Recessed mount in the wall

**Place of application:** Indoors

**Width [mm]:** 71

**Height [mm]:** 71

**Installation depth:** 60

### TECHNICAL DATA:

**Rated voltage [V]:** 250 AC

**Rated frequency [Hz]:** 50

**Rated power [W]:** 500

**Class of protection against electric shock:** II

**Terminal type:** Screw terminal

**Plastic:** ABS

**IP class:** 20

### LOGISTIC DATA:

**Packaging method:** 10

**Number of units in the secondary packaging:** 10

**Number of units in the packaging:** 120

**Net unit weight [g]:** 100

**Grammage [g]:** 118.67

**Length of a unit pack [cm]:** 10

**Width of a unit pack [cm]:** 7

**Height of a unit pack [cm]:** 15

**Weight of a cardboard box [kg]:** 14.2404

**Width of a cardboard box [cm]:** 36.5

**Height of a cardboard box [cm]:** 32

**Length of a cardboard box [cm]:** 48.5

**Volume of a cardboard box [m<sup>3</sup>]:** 0.056648

## **25142** LOGI 02-1160-103 kr

---

Rotary dimmer 500 W with filter