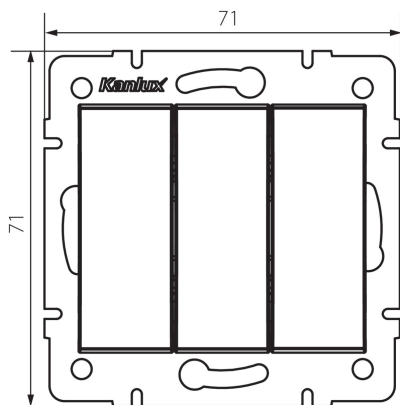


## 25195 LOGI 02-1090-143 sr

Triple switch

5905339251954



A three-gang light switch is used to control the circuit of three lamps or three groups of lamps from one place.

### GENERAL DATA:

**Colour:** silver

**Place of assembly:** Recessed mount in the wall

**Highlighting:** no

**Width [mm]:** 71

**Height [mm]:** 71

**Diameter of an installation box:** 60

**Installation depth:** 25

### TECHNICAL DATA:

**Rated voltage [V]:** 250 AC

**Material of contacts:** CuZn70

**Terminal type:** Screw terminal

**Plastic:** ABS

**Number of levers:** 3

**Rated current [AX]:** 10

**IP class:** 20

### LOGISTIC DATA:

**Packaging method:** 10

**Number of units in the secondary packaging:** 10

**Number of units in the packaging:** 120

**Net unit weight [g]:** 74

**Grammage [g]:** 86.25

**Length of a unit pack [cm]:** 10

**Width of a unit pack [cm]:** 4.5

**Height of a unit pack [cm]:** 14

**Weight of a cardboard box [kg]:** 10.35

**Width of a cardboard box [cm]:** 25.5

**Height of a cardboard box [cm]:** 32

**Length of a cardboard box [cm]:** 44

**Volume of a cardboard box [m<sup>3</sup>]:** 0.035904

**25195** LOGI 02-1090-143 sr

---

Triple switch